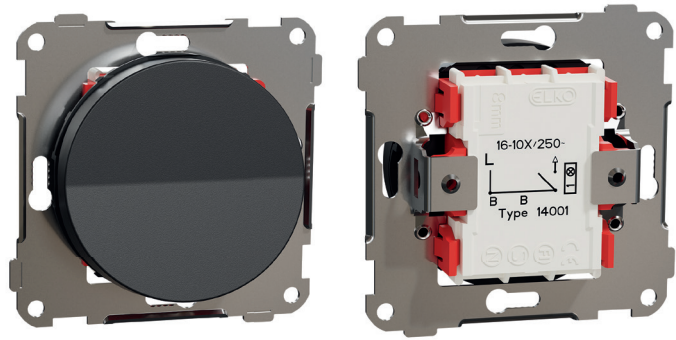


# Data Sheet EKO50037

<b>Product:</b>	Switch 1-pole [1] screw
<b>E-number NO:</b>	14 708 49
<b>E-number SV:</b>	
<b>E-number FI:</b>	21 046 35
<b>EAN:</b>	7020160500373
<b>Packing:</b>	5
<b>Color:</b>	Black



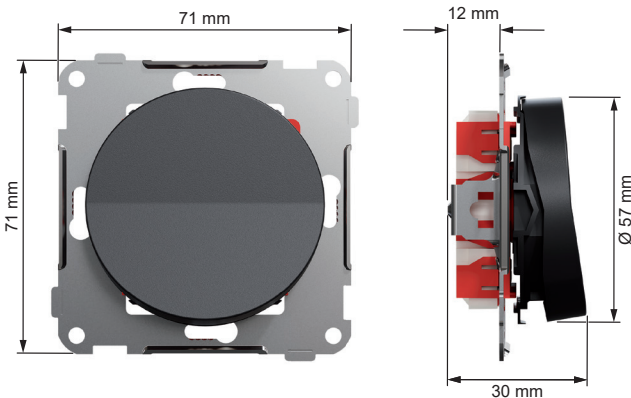
**Product description:**

ELKO One 1-pole switch with single rocker. It is provided with screw terminals with the wire entrance on the side. Its Ue rated operational voltage is 250VAC. Its Ie rated operational current is 16A. Can be provided with white location light (LED lamp module EKO50063), together with rocker and lens (EKO50059). By adding an impulse spring (EKO08852) the switch can easily be transformed into a push-button. Claw-kit EKO04848 can be used for additional fixation to the flush wall-box when needed. To be mounted in a suitable 1 to 5 gang cover frame for flush cc 60mm wall-box installation or 1 to 3 gang low or high surface mounted box for surface installation, as well as in a corner box. The dimensions of the product are (W) 71mm x (H) 71mm x (D) 30mm. It is made of recycled Polycarbonate (PC). The color of the product is black (RAL 9005) with matt surface finish. It reaches IP21 degrees of protection with IK07 impact strength.

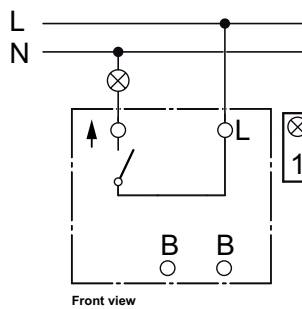


One range by ELKO is covering Wiring Devices, Stand Alone Electronics and Network Connectivity functions for both flush as well as surface installation. The One range has been developed with sustainability in mind, using recycled plastic, recycled packaging material and Cradle to Cradle certified. Modern and slim design with a smooth matt surface finish that is reflecting the light in a glowing way due to it's shape.

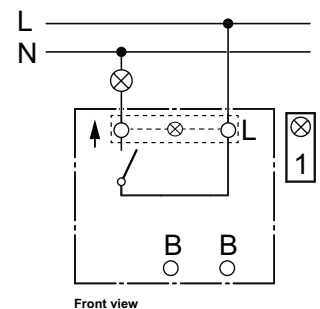
**Dimensions**



**Wiring diagram**



**Installation with EKO50063 as locator light**



**⚠ ⚠ DANGER**

**HAZARD OF ELECTRIC SHOCK, EXPLOSION OR ARC FLASH**  
 The product must be installed and connected by a qualified electrician.  
 A qualified electrician must demonstrate an in-depth knowledge of:

- Construction of electrical installations in buildings in accordance with IEC 60364
- Additional safety standards, local connection rules, and building regulations
- Standardized tools and measuring equipment

**Failure to follow these instructions will result in death or serious injury.**