

Data Sheet EKO50077

Product:	DSO Schuko c-plate screwless
E-number NO:	15 510 17
E-number SV:	18 400 93
E-number FI:	25 043 19
EAN:	7020160500779
Packing:	5
Color:	Pure white



Product description:

It's a ELKO One double Schuko socket-outlet with semi-flush center plate for mounting in multigang frame installation.

It is provided with screwless terminals with the wire entrance on the side.

Its Ue rated operational voltage is 250VAC at 50/60 Hz. Its Ie rated operational current is 16A.

Claw-kit EKO04848 can be used for additional fixation to the flush wall-box when needed.

To be mounted in a suitable 2 to 5-gang DSO multigang cover frame for flush cc 60mm, 1 or 1.5 module wall-box installation.

The dimensions of the product are (W) 71mm x (H) 106mm x (D) 42mm.

It is made of recycled Polycarbonate (PC). The color of the product is pure white (RAL 9003) with matt surface finish.

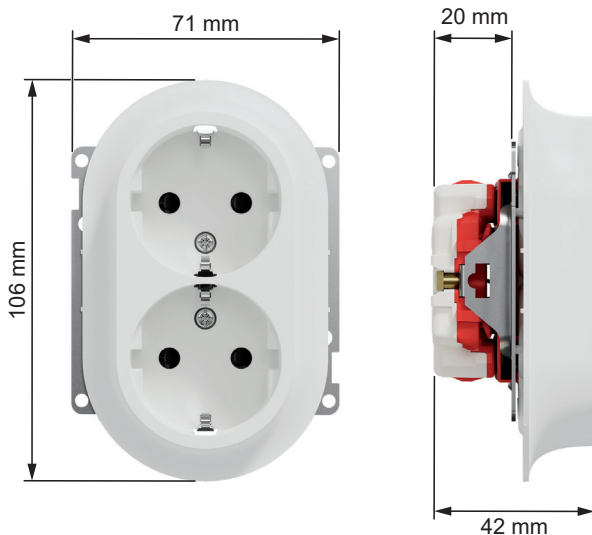
It reaches IP21 degrees of protection with IK08 impact strength.

One range by ELKO is covering Wiring Devices, Stand Alone Electronics and Network Connectivity functions for both flush as well as surface installation. The One range has been developed with sustainability in mind, using recycled plastic, recycled packaging material and Cradle to Cradle certified.

Modern and slim design with a smooth matt surface finish that is reflecting the light in a glowing way due to it's shape.



Dimensions



ELKO AS

Sandstuveien 68, 0680 Oslo
Pb 6598 Etterstad, 0607 Oslo
+47 67 79 39 00
support@elko.no
www.elko.no

ELKO AB

Glasfibergatan 8, 125 45 Älvsjö
Box 5115, 121 17 Johanneshov
+46 8 449 27 27
info@elko.se
www.elko.se

ELKO Suomi

Sokerilinnantie 11 C
02600 Espoo
+358 10 44 66 10
www.elko.fi