

ECOLOGY

IP65 DISTRIBUTION BOXES

Description: IP65 SURFACE BOX 1x18 MOD. (TW). ABS. N&E BARS

Reference:

CDN18PT/RR

Characteristics:

Product type:	ABS watertight distribution boxes with neutral and earth bars (Sealable)
Exterior dimensions (Height x Width x Depth):	286x418x148 mm
Dimensions of the flush-fit gap (HxWxD):	-
Number of modules:	1x18 DIN rail
Installation:	Surface
Color:	Grey RAL 7035
Window:	Transparent tinted window. UV protection polycarbonate
Weight (Kg):	2,08
Cable entry:	Top: 12xM20 - 6xM25 - 2xM32 - 1xM40. Bottom: 10xM20 - 6xM25 - 2xM32 - 1xM40. Int.: 4xM25. Oblong rear: 2xOB 25/32/25
Components:	N&E Cable section: 8x(2,5-6 mm ²)+8x(4-10 mm ²)+1x(10-25 mm ²)+1x(16-35 mm ²)
Materials:	Halogen-free plastic materials. Frame and base: ABS. Recommended for outdoor use: UV protection under ISO standard 4892-2, Method A: 500h

Technical data:

Degree of protection:	IP65
Resistance to impact:	IK08
Glow wire resistance:	650 °C
Ball pressure test:	70 °C
Ambient temperature range:	-25 °C / +40 °C
Maximum operating voltage:	1000 V AC / 1500 V DC
Double insulation:	Class II

Certificates and standards:

Directive:	2014/35/EU
Standards:	UNE-EN 62208 and IEC 62208
Certificates:	



Codes:

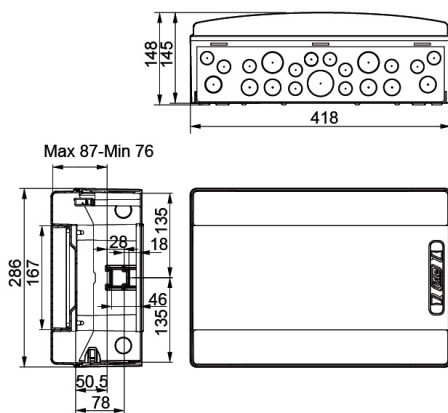
EAN:	8431044062822
Customs tariff number:	85.38.10.00
ETIM 6.0:	EC001892

ECOLOGY


IP65 DISTRIBUTION BOXES


Description: IP65 SURFACE BOX 1x18 MOD. (TW). ABS. N&E BARS

Reference: CDN18PT/RR



Detailed drawing:

 <http://www.ide.es/downloads/planos/pdf/CDN18PTRR.pdf>

 <http://www.ide.es/downloads/planos/dxf/CDN18PTRR.dxf>

Exterior dimensions (Height x Width x Depth):

286x418x148 mm

Dimensions of the flush-fit gap (Height x Width x Depth):

-

Sustainability:

RoHS - REACH

Supply:

Supplied in individual cardboard packaging. When several items are sent together, they are bundled together with transparent film.

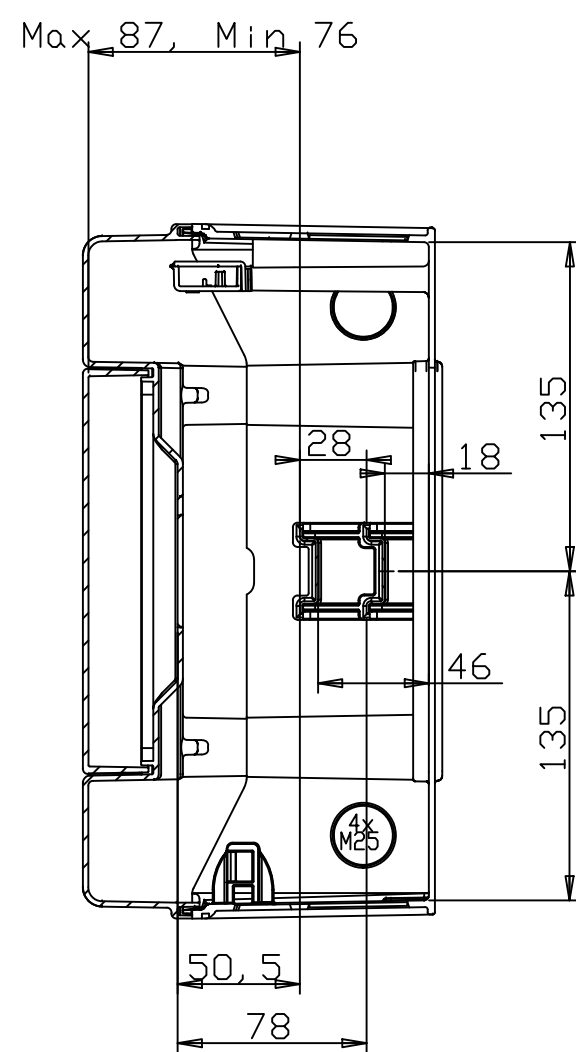
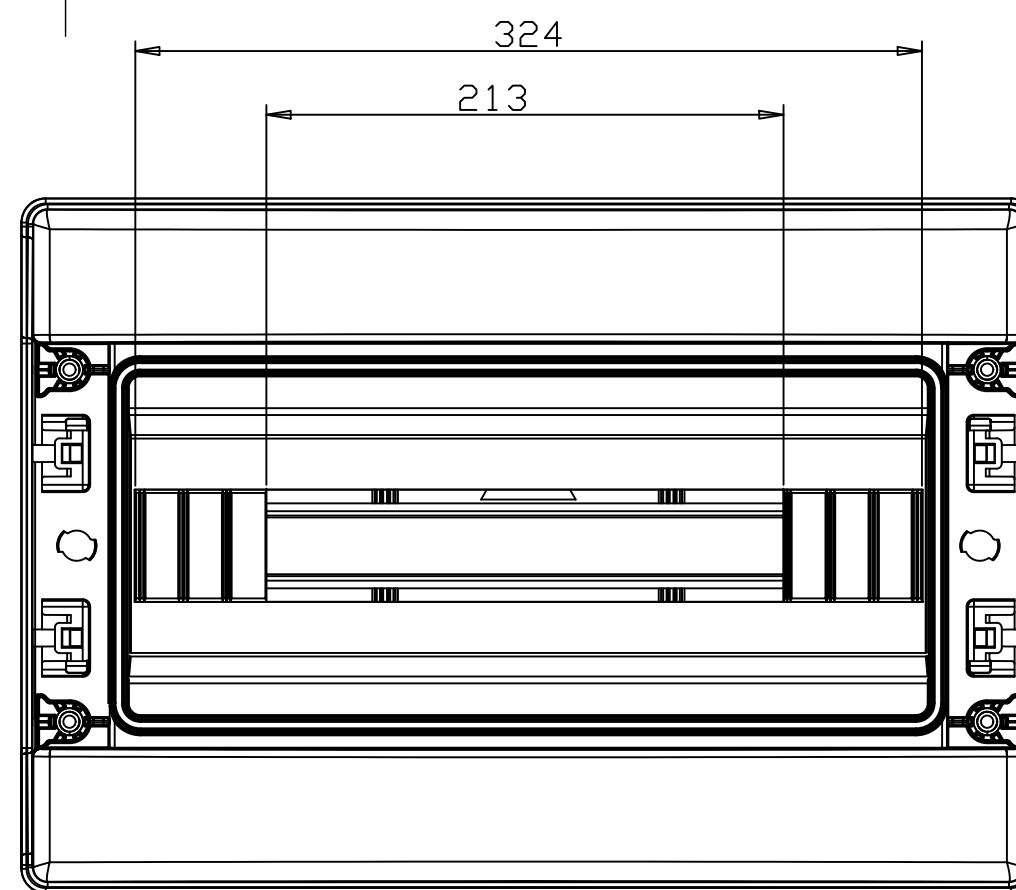
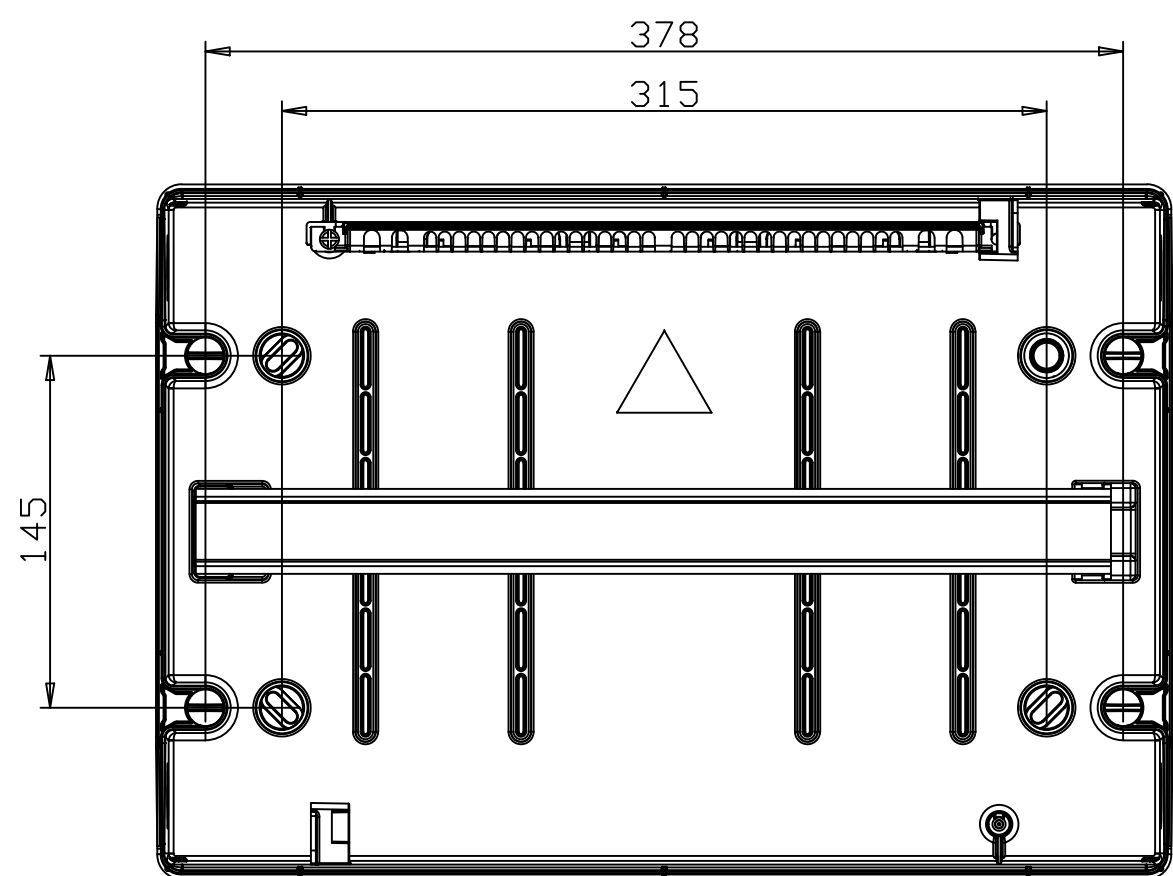
Packaging units: 4

Product end of life:

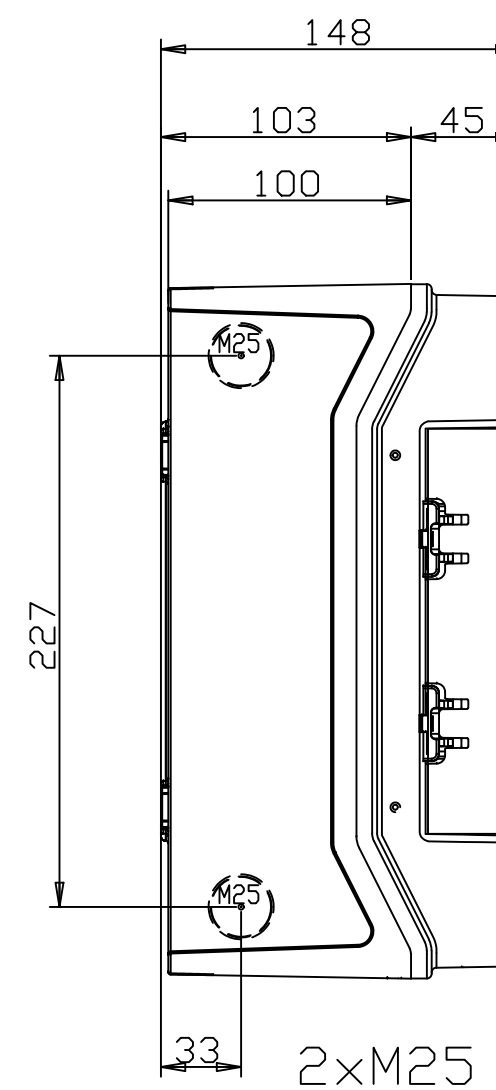
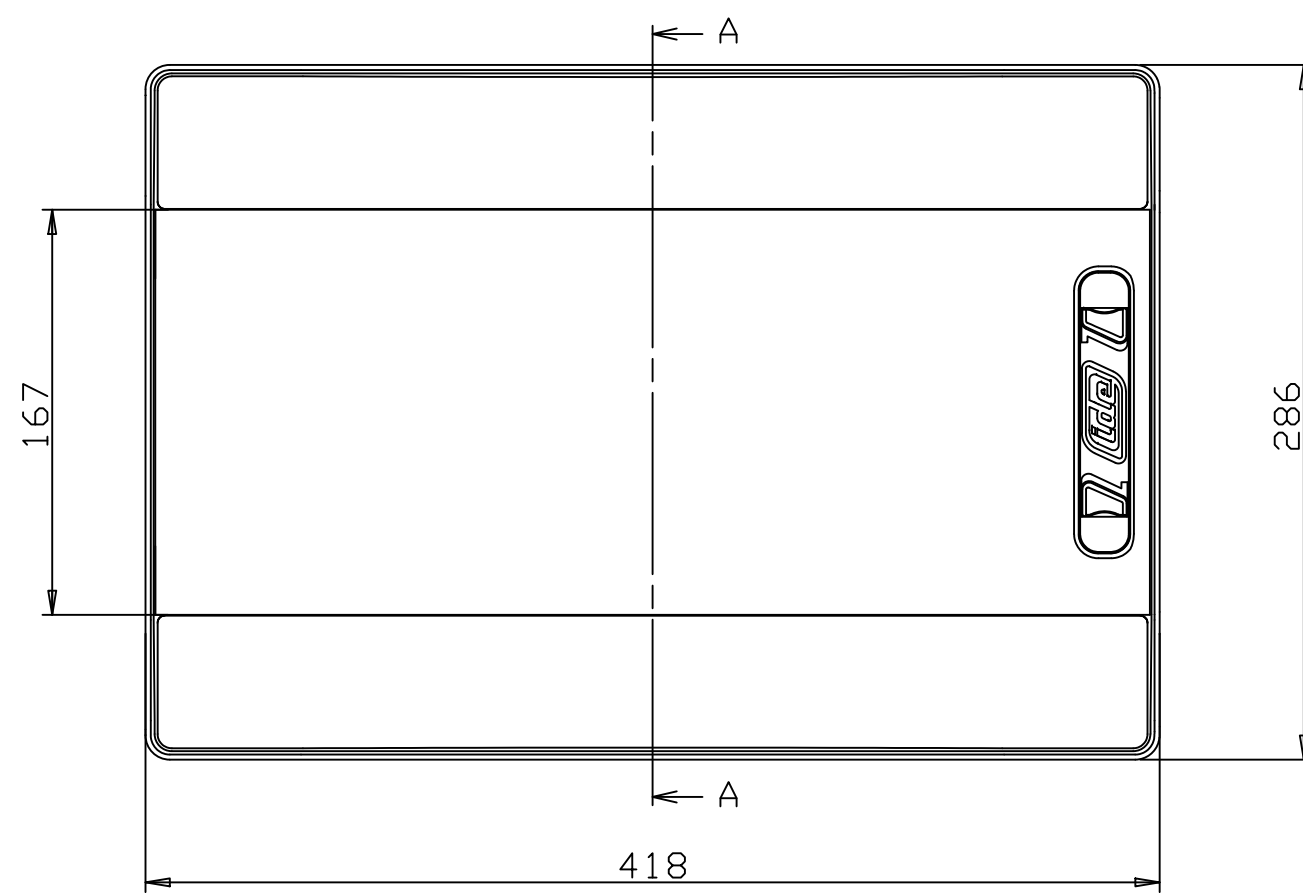
It does not require specific recycling operations.

Recommended applications:

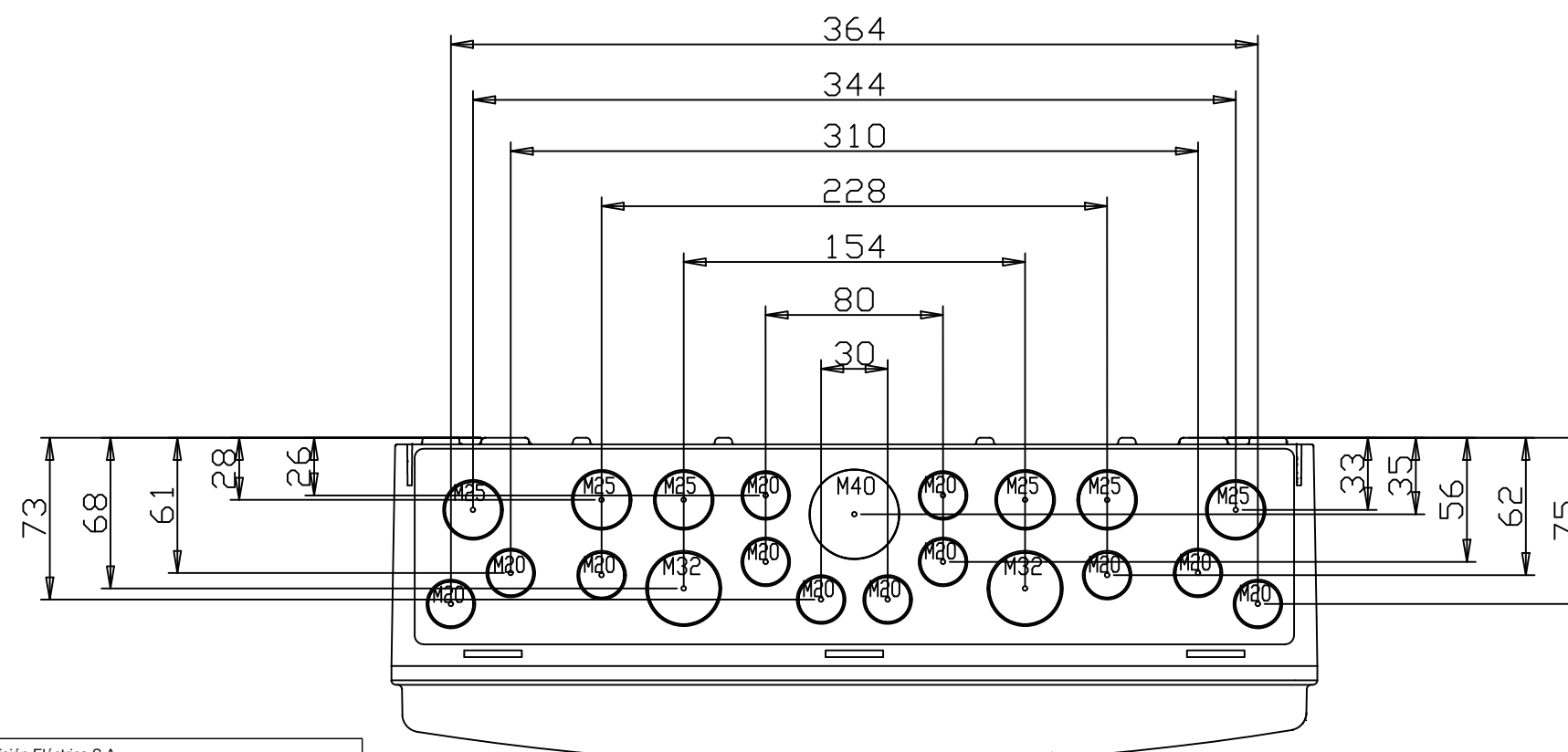
Industrial and outdoor environments. Industrial sites, docks, swimming pools, garages, anywhere that requires a high degree of protection against dust, splashes and impacts.



SEC AA



2xM25



1xM40
2xM32
6xM25
10xM20

MODIFICADO / MODIFIED	FRIMA / SIGNATURE DIGITAL	NOMBRE / NAME	FECHA / DATE	Nº EDIC. / MODIF.	DESCRIPCION DEL CAMBIO / CHANGE DESCRIPTION	PROYECTO / PROJECT
APROBADO / CHECKED	DIBUJADO / DRAWN	C.VICENTE	15/06/2016	J.P.VERA	15/06/2016	ECOLOGY
CDN18PT/RR					CDP18PT/RR	SUSTITUYE / REPLACE
HOJA 1 DE 1 / SHEET 1 OF 1			TOLERANCIAS GENERALES / GENERAL TOLERANCES		CODIGO DE PLANO / DRAWING CODE	
TAMANO / SIZE			ESCALA / SCALE		EDICION / EDITION Nº 1	
A2			1:1		EN 22768-mK 100.06.014	

