

ECOLOGY

IP65 DISTRIBUTION BOXES

Description: IP65 SURFACE BOX 2x12 (24) MOD. (TW). ABS. N&E BARS

Reference:

CDN24PT/RR

Characteristics:

Product type:	ABS watertight distribution boxes with neutral and earth bars (Sealable)
Exterior dimensions (Height x Width x Depth):	436x310x148 mm
Dimensions of the flush-fit gap (HxWxD):	-
Number of modules:	2x12 (24) DIN rail
Installation:	Surface
Color:	Grey RAL 7035
Window:	Transparent tinted window. UV protection polycarbonate
Weight (Kg):	2,54
Cable entry:	Top: 8xM20 - 2xM25 - 2xM32 - 1xM40. Bottom: 6xM20 - 2xM25 - 2xM32 - 1xM40. Int.: 4xM25. Oblong rear: 2xOB 25/32/25
Components:	N&E Cable section: 8x(2,5-6 mm ²)+8x(4-10 mm ²)+1x(10-25 mm ²)+1x(16-35 mm ²)
Materials:	Halogen-free plastic materials. Frame and base: ABS. Recommendend for outdoor use: UV protection under ISO standard 4892-2, Method A: 500h

Technical data:

Degree of protection:	IP65
Resistance to impact:	IK08
Glow wire resistance:	650 °C
Ball pressure test:	70 °C
Ambient temperature range:	-25 °C / +40 °C
Maximum operating voltage:	1000 V AC / 1500 V DC
Double insulation:	Class II

Certificates and standards:

Directive:	2014/35/EU
Standards:	UNE-EN 62208 and IEC 62208
Certificates:	



Codes:

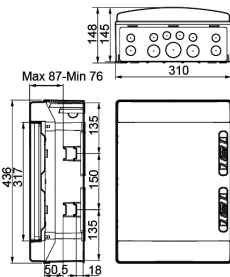
EAN:	8431044129877
Customs tariff number:	85.38.10.00
ETIM 6.0:	EC001892

ECOLOGY


IP65 DISTRIBUTION BOXES

Description: IP65 SURFACE BOX 2x12 (24) MOD. (TW). ABS. N&E BARS

Reference: CDN24PT/RR



Detailed drawing:

 <http://www.ide.es/downloads/planos/pdf/CDN24PTRR.pdf>

 <http://www.ide.es/downloads/planos/dxf/CDN24PTRR.dxf>

Exterior dimensions (Height x Width x Depth):

436x310x148 mm

Dimensions of the flush-fit gap (Height x Width x Depth):

-

Sustainability:

RoHS - REACH

Supply:

Supplied in individual cardboard packaging. When several items are sent together, they are bundled together with transparent film.

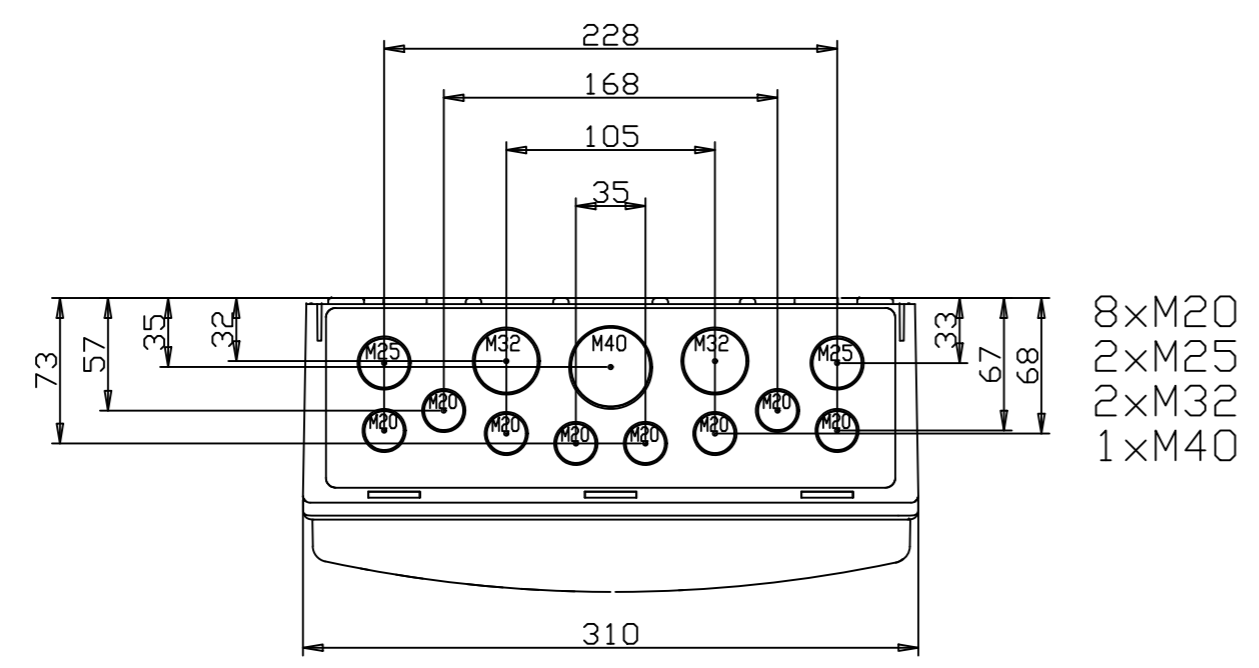
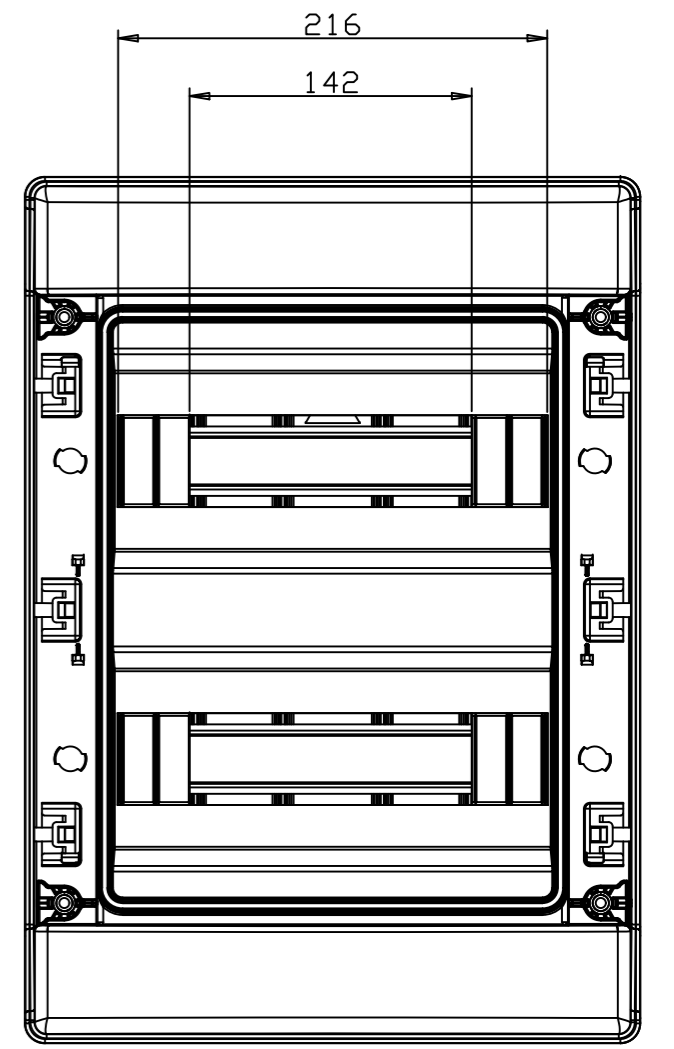
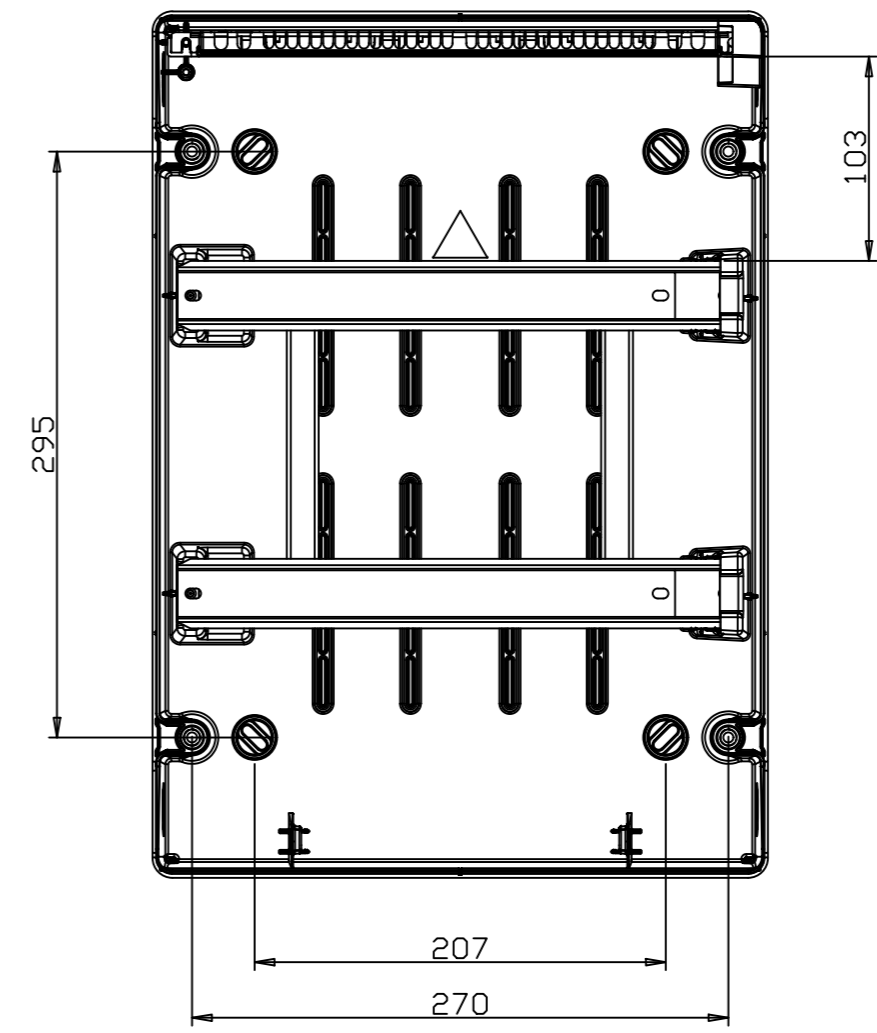
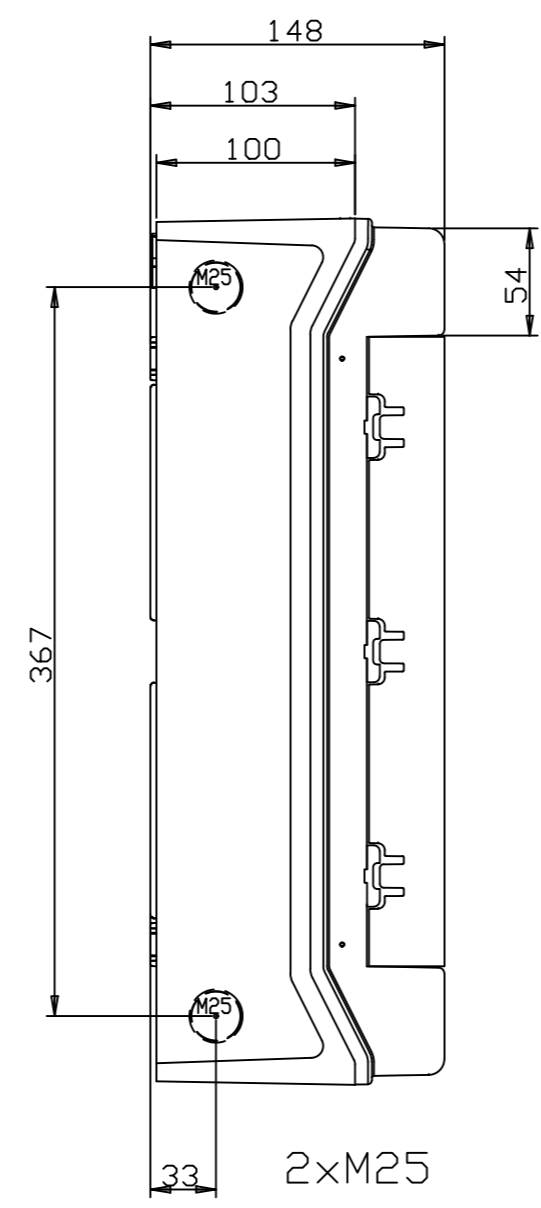
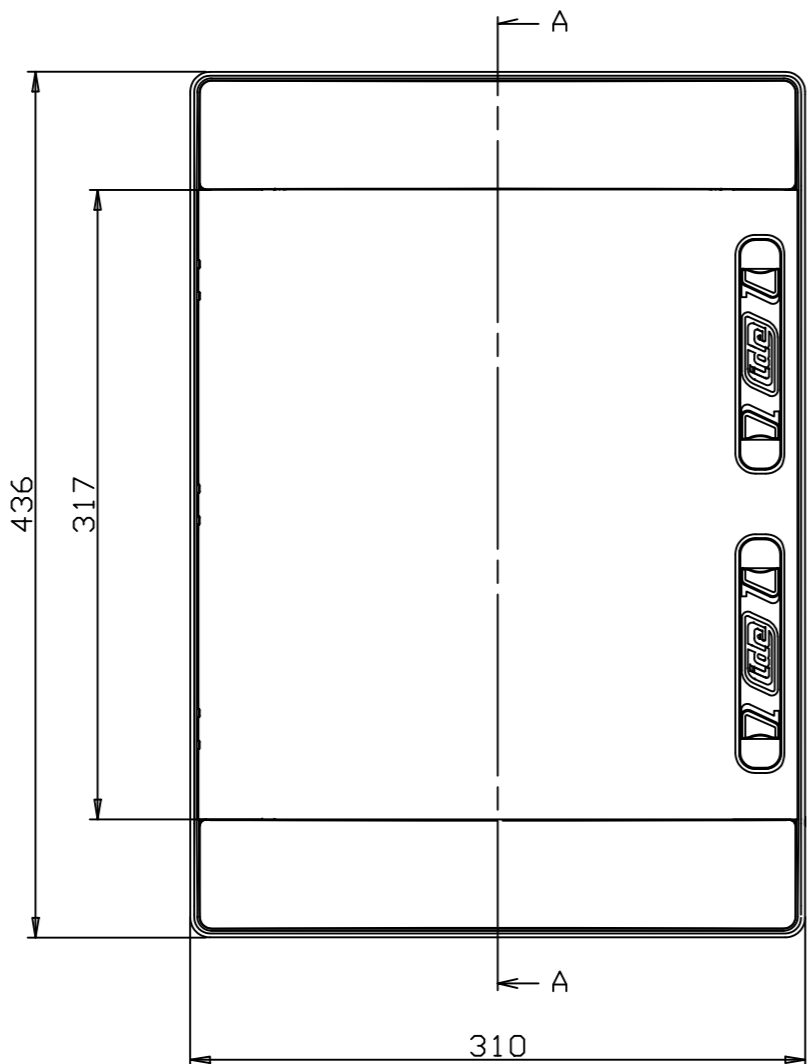
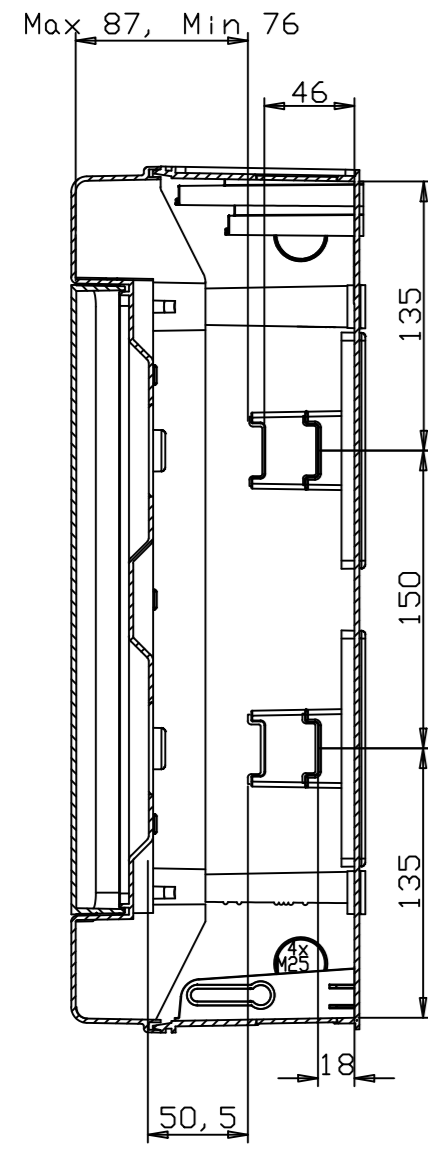
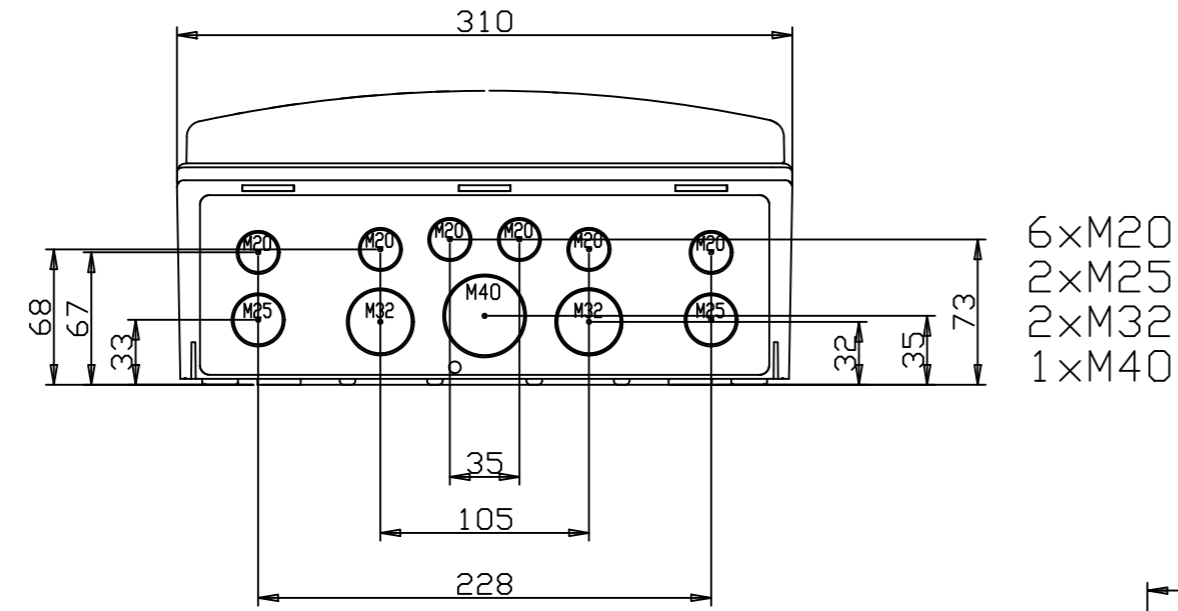
Packaging units: 4

Product end of life:

It does not require specific recycling operations.

Recommended applications:

Industrial and outdoor environments. Industrial sites, docks, swimming pools, garages, anywhere that requires a high degree of protection against dust, splashes and impacts.



Queda terminantemente prohibida la reproducción o divulgación, total o parcial, de este plano sin previa autorización por escrito de I División Eléctrica S.A.
Total or partial reproduction or disclosure of this document is strictly forbidden without the prior written approval of I División Eléctrica S.A.

MODIFICADO / MODIFIED					
FRIMA / SIGNATURE DIGITAL	NOMBRE / NAME	FECHA / DATE	Nº EDIC. / MODIF.	DESCRIPCION DEL CAMBIO / CHANGE DESCRIPTION	
APROBADO / CHECKED	C.VICENTE	15/06/2016		DESCRIPCION / DESCRIPTION	
DIBUJADO / DRAWN	J.P.VERA	15/06/2016		CDN24PT/RR	CDP24PT/RR
			HOJA 1 DE 1 / SHEET 1 OF 1		
			TOLERANCIAS GENERALES / GENERAL TOLERANCES		
			CODIGO DE PLANO / DRAWING CODE		
			EN 22768-mK		
			100.06.015		
			EDICION / EDITION Nº 1		

