

# ECOLOGY

## IP65 DISTRIBUTION BOXES

Description: IP65 SURFACE BOX 2x12 (24) MOD. (TW). ABS. N&E BARS

Reference:

**CDN24PT/RR**

### Characteristics:

<b>Product type:</b>	ABS watertight distribution boxes with neutral and earth bars (Sealable)
<b>Exterior dimensions (Height x Width x Depth):</b>	436x310x148 mm
<b>Dimensions of the flush-fit gap (HxWxD):</b>	-
<b>Number of modules:</b>	2x12 (24) DIN rail
<b>Installation:</b>	Surface
<b>Color:</b>	Grey RAL 7035
<b>Window:</b>	Transparent tinted window. UV protection polycarbonate
<b>Weight (Kg):</b>	2,54
<b>Cable entry:</b>	Top: 8xM20 - 2xM25 - 2xM32 - 1xM40. Bottom: 6xM20 - 2xM25 - 2xM32 - 1xM40. Int.: 4xM25. Oblong rear: 2xOB 25/32/25
<b>Components:</b>	N&E Cable section: 8x(2,5-6 mm <sup>2</sup> )+8x(4-10 mm <sup>2</sup> )+1x(10-25 mm <sup>2</sup> )+1x(16-35 mm <sup>2</sup> )
<b>Materials:</b>	Halogen-free plastic materials. Frame and base: ABS. Recommended for outdoor use: UV protection under ISO standard 4892-2, Method A: 500h

### Technical data:

<b>Degree of protection:</b>	IP65
<b>Resistance to impact:</b>	IK08
<b>Glow wire resistance:</b>	650 °C
<b>Ball pressure test:</b>	70 °C
<b>Ambient temperature range:</b>	-25 °C / +40 °C
<b>Maximum operating voltage:</b>	1000 V AC / 1500 V DC
<b>Double insulation:</b>	Class II

### Certificates and standards:

<b>Directive:</b>	2014/35/EU
<b>Standards:</b>	UNE-EN 62208 and IEC 62208
<b>Certificates:</b>	



### Codes:

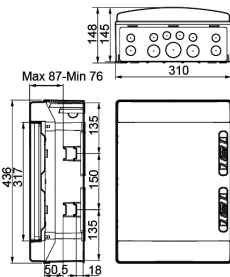
<b>EAN:</b>	8431044129877
<b>Customs tariff number:</b>	85.38.10.00
<b>ETIM 6.0:</b>	EC001892

# ECOLOGY


## IP65 DISTRIBUTION BOXES

Description: IP65 SURFACE BOX 2x12 (24) MOD. (TW). ABS. N&E BARS

Reference: CDN24PT/RR



### Detailed drawing:

 <http://www.ide.es/downloads/planos/pdf/CDN24PTRR.pdf>

 <http://www.ide.es/downloads/planos/dxf/CDN24PTRR.dxf>

### Exterior dimensions (Height x Width x Depth):

436x310x148 mm

### Dimensions of the flush-fit gap (Height x Width x Depth):

-

### Sustainability:

RoHS - REACH

### Supply:

Supplied in individual cardboard packaging. When several items are sent together, they are bundled together with transparent film.

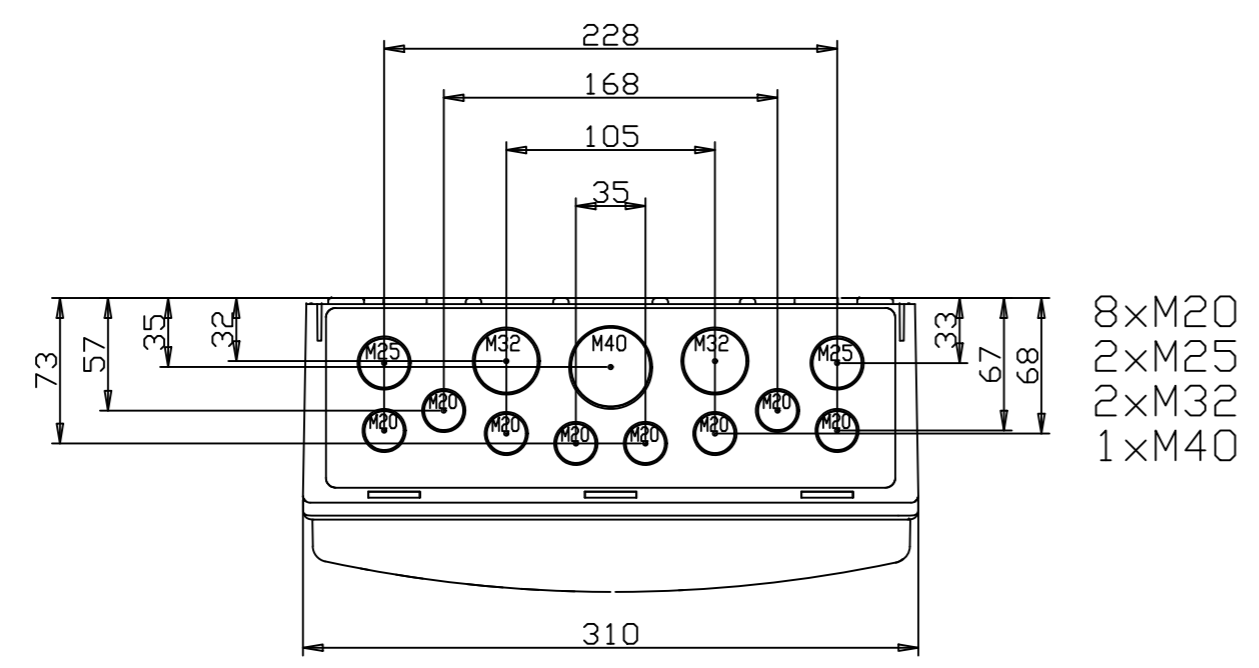
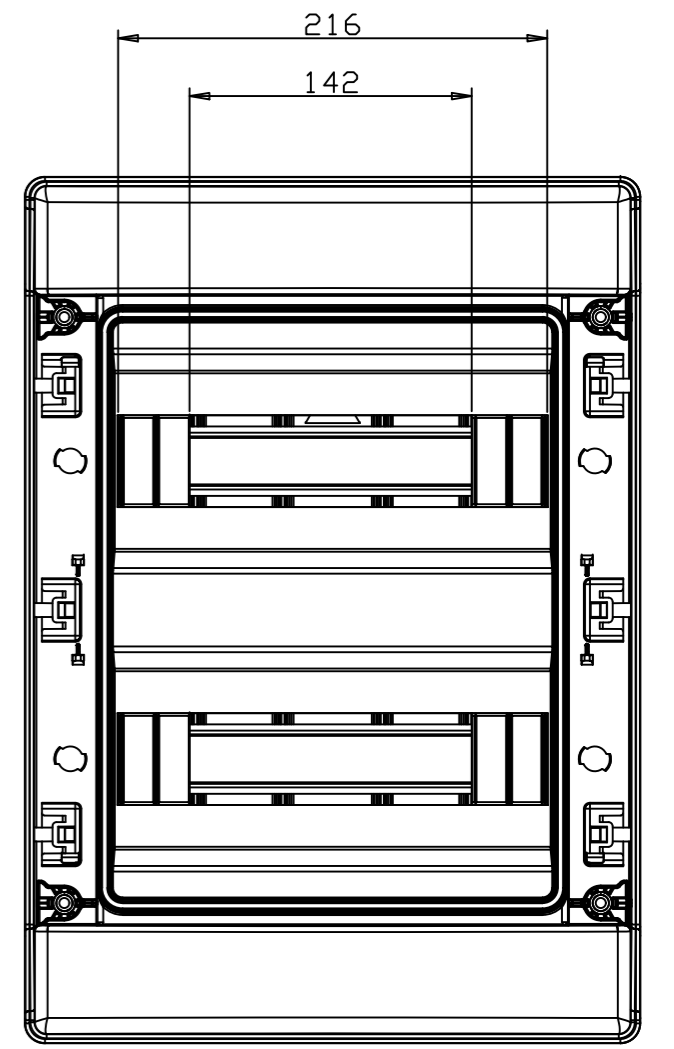
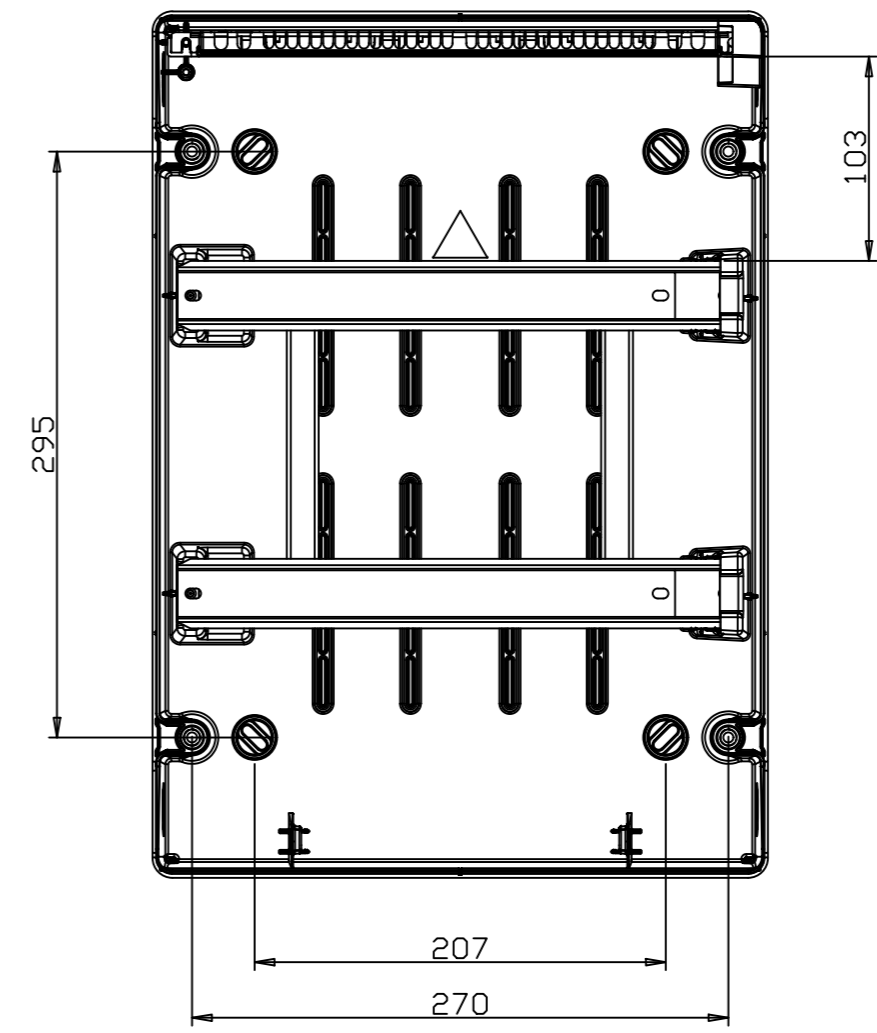
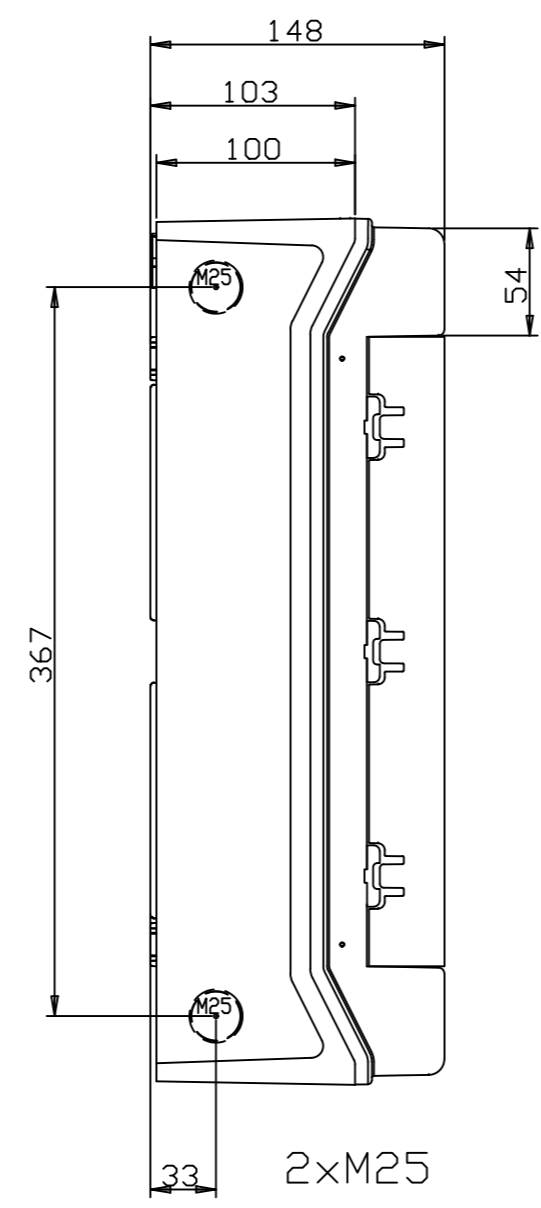
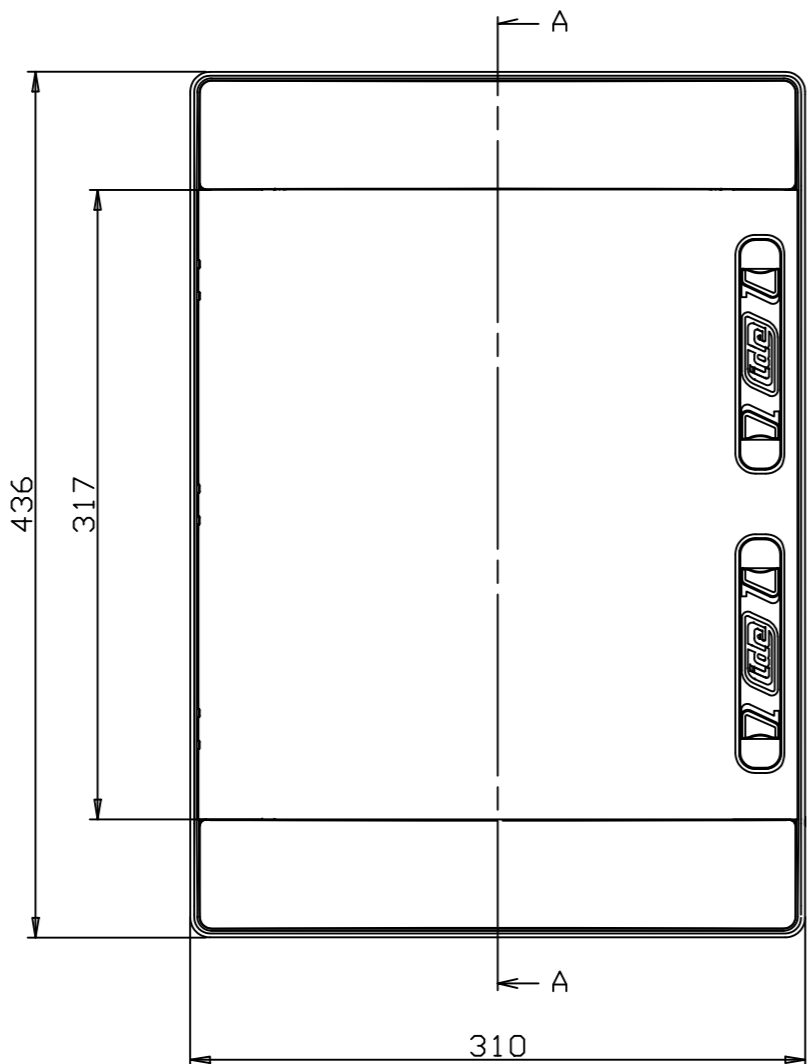
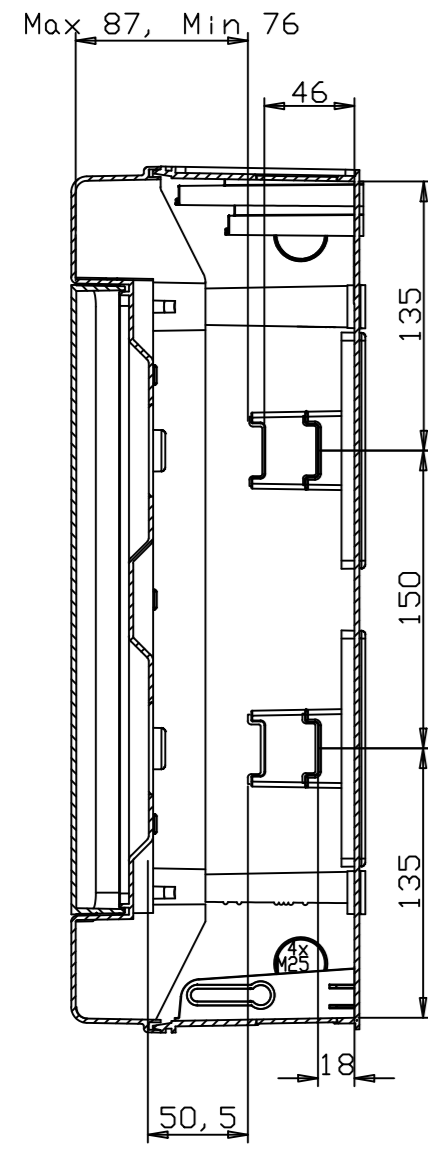
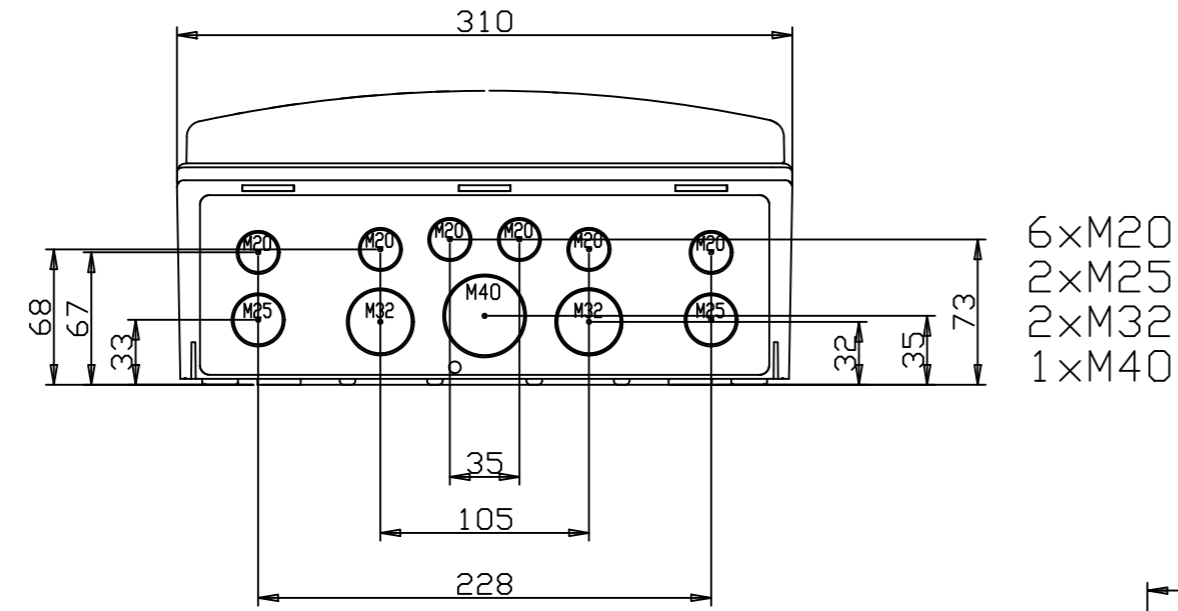
Packaging units: 4

### Product end of life:

It does not require specific recycling operations.

### Recommended applications:

Industrial and outdoor environments. Industrial sites, docks, swimming pools, garages, anywhere that requires a high degree of protection against dust, splashes and impacts.



MODIFICADO / MODIFIED					
FRIMA / SIGNATURE DIGITAL	NOMBRE / NAME	FECHA / DATE	Nº EDIC. / MODIF.	DESCRIPCION DEL CAMBIO / CHANGE DESCRIPTION	
APROBADO / CHECKED	C.VICENTE	15/06/2016		DESCRIPCION / DESCRIPTION	
DIBUJADO / DRAWN	J.P.VERA	15/06/2016		CDN24PT/RR	CDP24PT/RR
HOJA 1 DE 1 / SHEET 1 OF 1			TOLERANCIAS GENERALES / GENERAL TOLERANCES		
TAMANO / ESCALA / SIZE / SCALE			CODIGO DE PLANO / DRAWING CODE		
A2 1:1			EN 22768-mK 100.06.015		
					EDICION / EDITION Nº 1

Queda terminantemente prohibida la reproducción o divulgación, total o parcial, de este plano sin previa autorización por escrito de I División Eléctrica S.A.  
Total or partial reproduction or disclosure of this document is strictly forbidden without the prior written approval of I División Eléctrica S.A.

Instrucciones de montaje  
Installation Instructions  
Notice d'installation  
Istruzioni per il montaggio  
Montageanweisung  
Montagehandleiding

Montagevejledning  
Οδηγίες εγκατάστασης  
Instruções de montagem  
Monteringsanvisning  
Asennusohje  
Návod k montáži

Paigaldusjuhend  
Szerelési utasítás  
Montāžas instrukcija  
Montavimo instrukcija  
Instrukcja montażu  
Navodila za montažo

Návod na montáž  
Монтажни инструкции  
Instrucțiuni de montaj  
Инструкция по монтажу  
安装说明

EN 62208

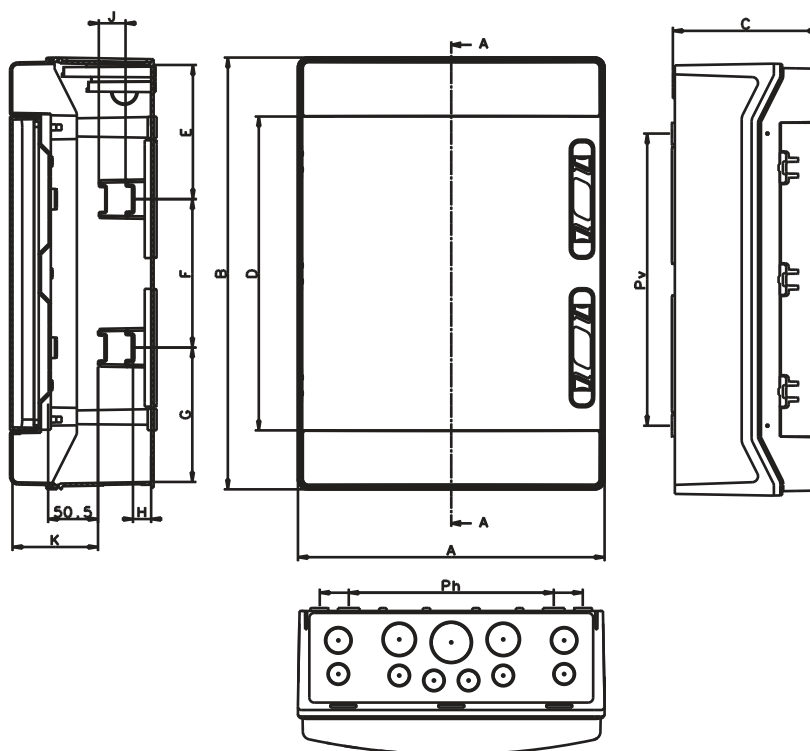
Ac<1000V

In<125A

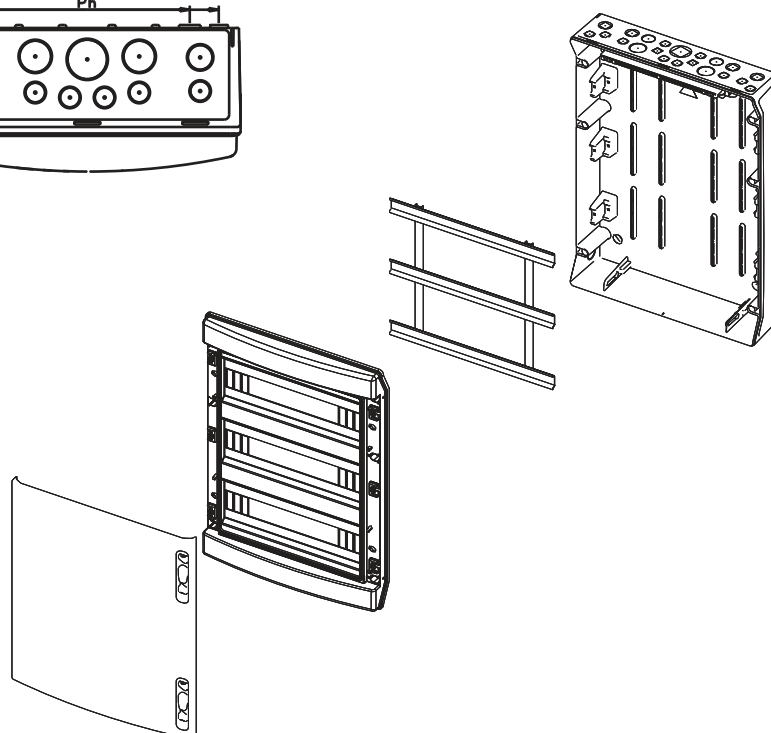
Cc<1500V

Fr<100Hz

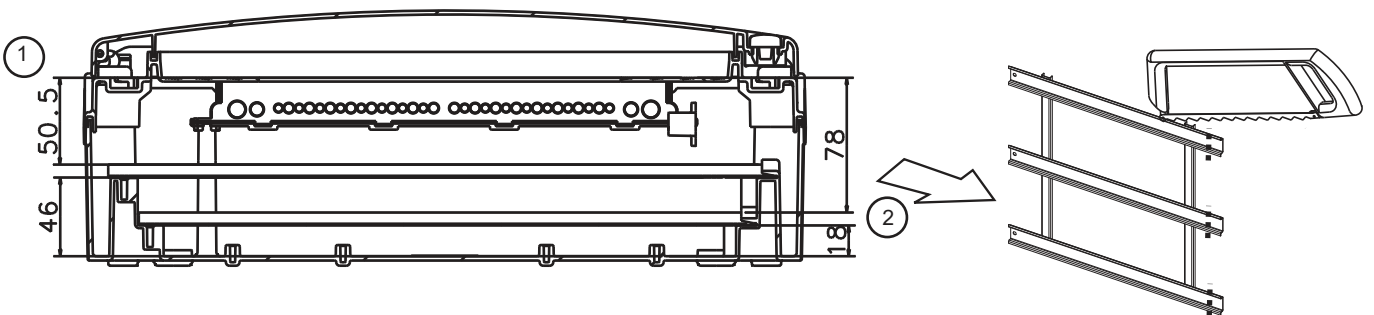
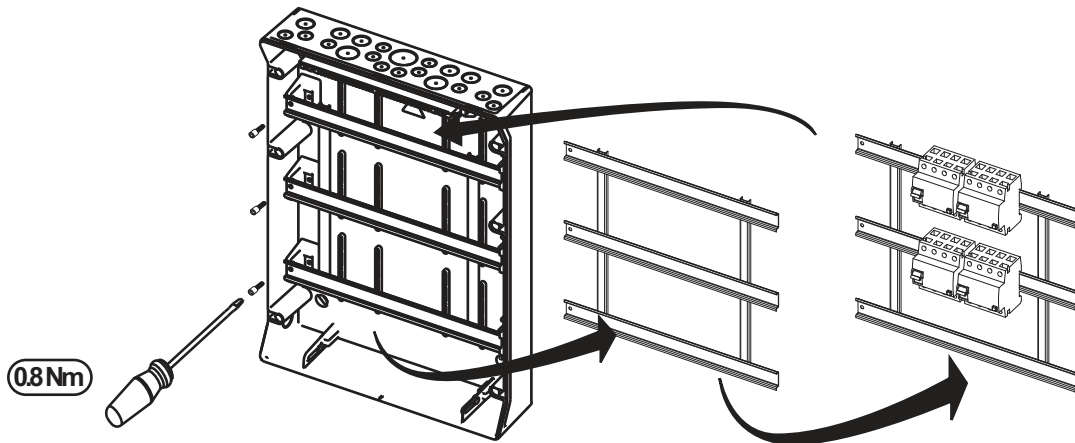
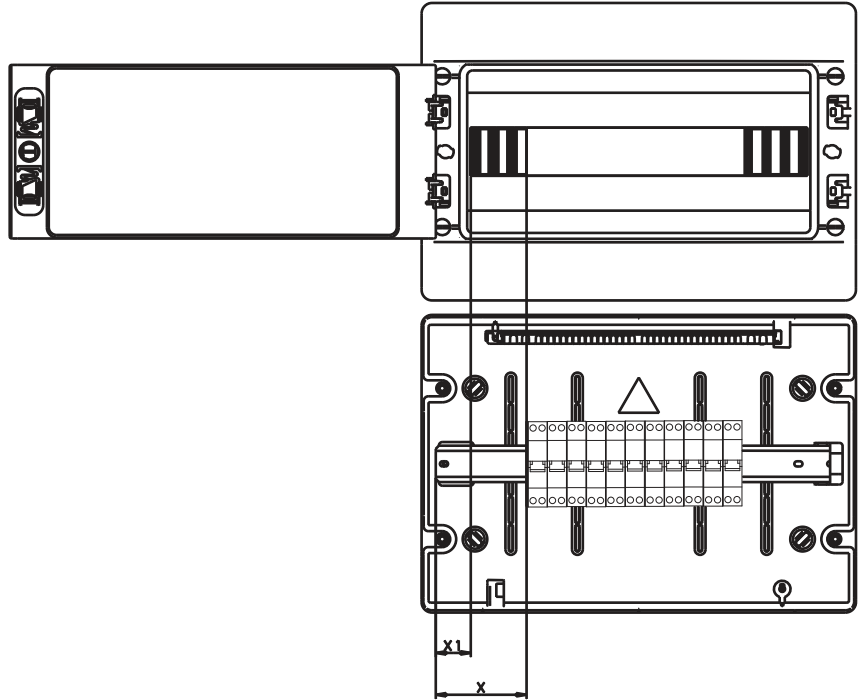
Type mm.	A	B	C	D	E	F	G	H	J	K	Ph	Pv
65S04	166	231	113	150	115<	--	100<	16	--	78-82	76/126	121
65S06	202	231	113	150	115<	--	100<	16	--	78-82	97/162	121
65S08	238	231	118	150	115<	--	100<	16	--	81-86	133/198	121
65S12	310	246	148	167	115<	--	115<	18	28	76-87	207/270	121
65S18	418	286	148	167	135<	--	135<	18	28	76-87	315/378	145
65S24	310	436	148	317	135<	150	135<	18	28	76-87	207/270	295
65S36_2	418	436	148	317	135<	150	135<	18	28	76-87	315/378	295
65S36_3	310	586	148	467	135<	2x150	135<	18	28	76-87	207/270	445
65S54	418	586	148	467	135<	2x150	135<	18	28	76-87	315/378	445

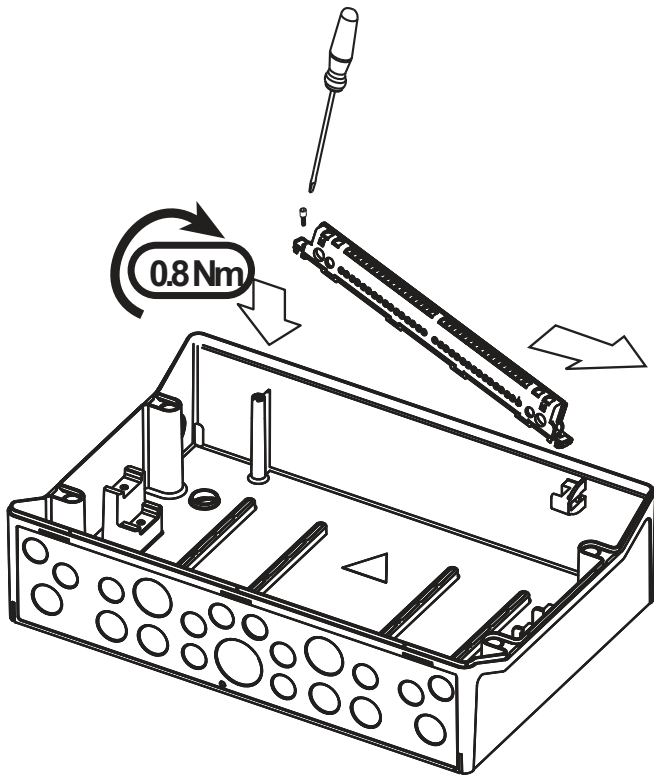


		65S..	65S../RR
	65S04/06/08/12/18 65S24/36_2 65S36_3/54	4x 4x 6x	4x 4x 6x
	65S....	4x	4x
	65S04 65S06/08/12/18 65S24/36_2 65S36_3/54	- 1x 2x 3x	- 1x 2x 3x
	65S04/06/08/12/18 65S24/36_2 65S36_3/54	1x 2x 3x	1x 2x 3x
	65S04/06/08/12/18 65S24 65S36_2/36_3/54	- - -	1x 1x 2x



	X (mm)	X1 (mm)
65S04	39	20.5
65S06	41.5	23
65S08	47.5	30
65S12	70.5	34
65S24	70.5	34
65S36_3	70.5	34
65S18	86	32
65S36_2	86	32
65S54	86	32





TYPE / TIPO	(N) (mm <sup>2</sup> )	(PE) (mm <sup>2</sup> )
65S04	3x(2.5-6mm <sup>2</sup> )+1x(4-10mm <sup>2</sup> )+1x(16-35mm <sup>2</sup> )	3x(2.5-6mm <sup>2</sup> )+1x(4-10mm <sup>2</sup> )+1x(16-35mm <sup>2</sup> )
65S06	3x(2.5-6mm <sup>2</sup> )+1x(4-10mm <sup>2</sup> )+1x(16-35mm <sup>2</sup> )	3x(2.5-6mm <sup>2</sup> )+1x(4-10mm <sup>2</sup> )+1x(16-35mm <sup>2</sup> )
65S08	5x(2.5-6mm <sup>2</sup> )+3x(4-10mm <sup>2</sup> )+1x(16-35mm <sup>2</sup> )	5x(2.5-6mm <sup>2</sup> )+3x(4-10mm <sup>2</sup> )+1x(16-35mm <sup>2</sup> )
65S12	6x(2.5-6mm <sup>2</sup> )+6x(4-10mm <sup>2</sup> )+1x(10-25mm <sup>2</sup> )+1x(16-35mm <sup>2</sup> )	6x(2.5-6mm <sup>2</sup> )+6x(4-10mm <sup>2</sup> )+1x(10-25mm <sup>2</sup> )+1x(16-35mm <sup>2</sup> )
65S24	8x(2.5-6mm <sup>2</sup> )+8x(4-10mm <sup>2</sup> )+1x(10-25mm <sup>2</sup> )+1x(16-35mm <sup>2</sup> )	8x(2.5-6mm <sup>2</sup> )+8x(4-10mm <sup>2</sup> )+1x(10-25mm <sup>2</sup> )+1x(16-35mm <sup>2</sup> )
65S36_3	12x(2.5-6mm <sup>2</sup> )+12x(4-10mm <sup>2</sup> )+1x(10-25mm <sup>2</sup> )+1x(16-35mm <sup>2</sup> )	12x(2.5-6mm <sup>2</sup> )+12x(4-10mm <sup>2</sup> )+1x(10-25mm <sup>2</sup> )+1x(16-35mm <sup>2</sup> )
65S18	8x(2.5-6mm <sup>2</sup> )+8x(4-10mm <sup>2</sup> )+1x(10-25mm <sup>2</sup> )+1x(16-35mm <sup>2</sup> )	8x(2.5-6mm <sup>2</sup> )+8x(4-10mm <sup>2</sup> )+1x(10-25mm <sup>2</sup> )+1x(16-35mm <sup>2</sup> )
65S36_2	12x(2.5-6mm <sup>2</sup> )+12x(4-10mm <sup>2</sup> )+1x(10-25mm <sup>2</sup> )+1x(16-35mm <sup>2</sup> )	12x(2.5-6mm <sup>2</sup> )+12x(4-10mm <sup>2</sup> )+1x(10-25mm <sup>2</sup> )+1x(16-35mm <sup>2</sup> )
65S54	12x(2.5-6mm <sup>2</sup> )+12x(4-10mm <sup>2</sup> )+1x(10-25mm <sup>2</sup> )+1x(16-35mm <sup>2</sup> )	12x(2.5-6mm <sup>2</sup> )+12x(4-10mm <sup>2</sup> )+1x(10-25mm <sup>2</sup> )+1x(16-35mm <sup>2</sup> )

