

# ECOLOGY

## IP65 DISTRIBUTION BOXES

Description: IP65 SURFACE BOX 3x12 (36) MOD. (TW). ABS. N&E BARS

Reference:

**CDN36PT3F/RR**

### Characteristics:

<b>Product type:</b>	ABS watertight distribution boxes with neutral and earth bars (Sealable)
<b>Exterior dimensions (Height x Width x Depth):</b>	586x310x148 mm
<b>Dimensions of the flush-fit gap (HxWxD):</b>	-
<b>Number of modules:</b>	3x12 (36) DIN rail
<b>Installation:</b>	Surface
<b>Color:</b>	Grey RAL 7035
<b>Window:</b>	Transparent tinted window. UV protection polycarbonate
<b>Weight (Kg):</b>	3,36
<b>Cable entry:</b>	Top: 8xM20 - 2xM25 - 2xM32 - 1xM40. Bottom: 6xM20 - 2xM25 - 2xM32 - 1xM40. Int.: 4xM25. Oblong rear: 2xOB 25/32/25
<b>Components:</b>	N&E Cable section: 12x(2,5-6 mm <sup>2</sup> )+12x(4-10 mm <sup>2</sup> )+1x(10-25 mm <sup>2</sup> )+1x(16-35 mm <sup>2</sup> )
<b>Materials:</b>	Halogen-free plastic materials. Frame and base: ABS. Recommended for outdoor use: UV protection under ISO standard 4892-2, Method A: 500h

### Technical data:

<b>Degree of protection:</b>	IP65
<b>Resistance to impact:</b>	IK08
<b>Glow wire resistance:</b>	650 °C
<b>Ball pressure test:</b>	70 °C
<b>Ambient temperature range:</b>	-25 °C / +40 °C
<b>Maximum operating voltage:</b>	1000 V AC / 1500 V DC
<b>Double insulation:</b>	Class II

### Certificates and standards:

<b>Directive:</b>	2014/35/EU
<b>Standards:</b>	UNE-EN 62208 and IEC 62208
<b>Certificates:</b>	



### Codes:

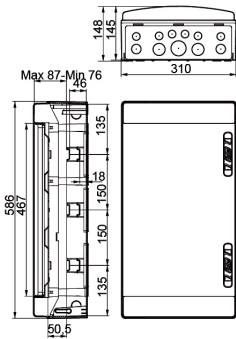
<b>EAN:</b>	8431044130262
<b>Customs tariff number:</b>	85.38.10.00
<b>ETIM 6.0:</b>	EC001892

# ECOLOGY

## IP65 DISTRIBUTION BOXES


Description: IP65 SURFACE BOX 3x12 (36) MOD. (TW). ABS. N&E BARS

Reference: CDN36PT3F/RR



### Detailed drawing:

 <http://www.ide.es/downloads/planos/pdf/CDN36PT3FRR.pdf>

 <http://www.ide.es/downloads/planos/dxf/CDN36PT3FRR.dxf>

### Exterior dimensions (Height x Width x Depth):

586x310x148 mm

### Dimensions of the flush-fit gap (Height x Width x Depth):

-

### Sustainability:

RoHS - REACH

### Supply:

Supplied in individual cardboard packaging. When several items are sent together, they are bundled together with transparent film.

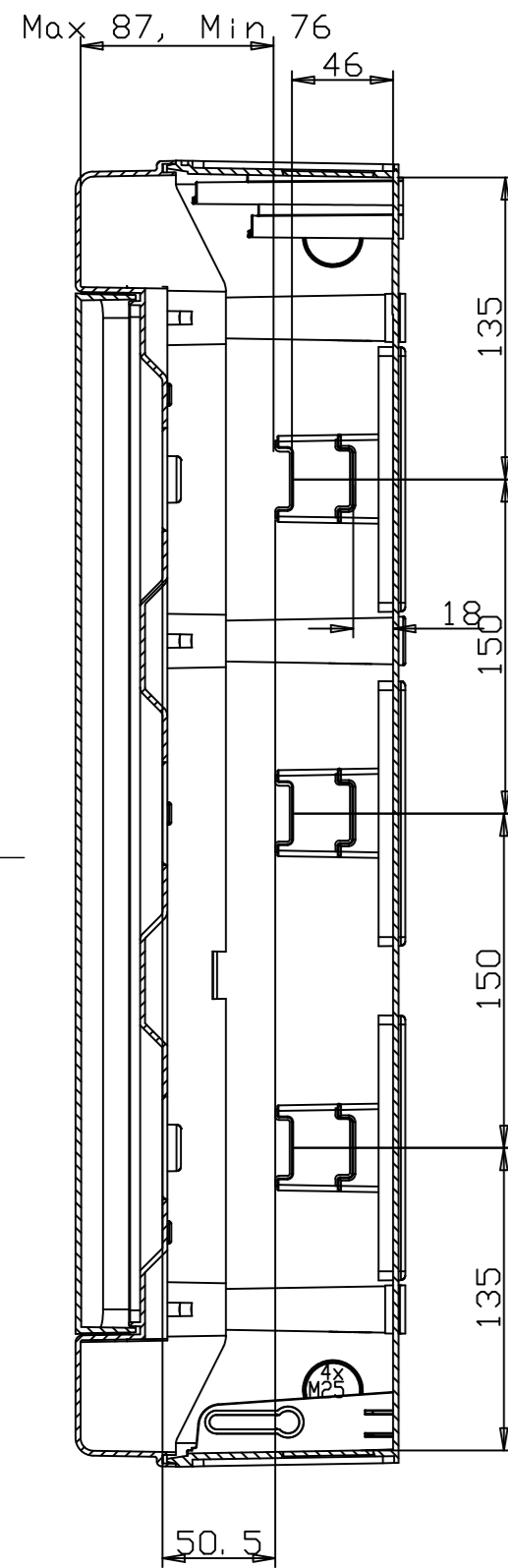
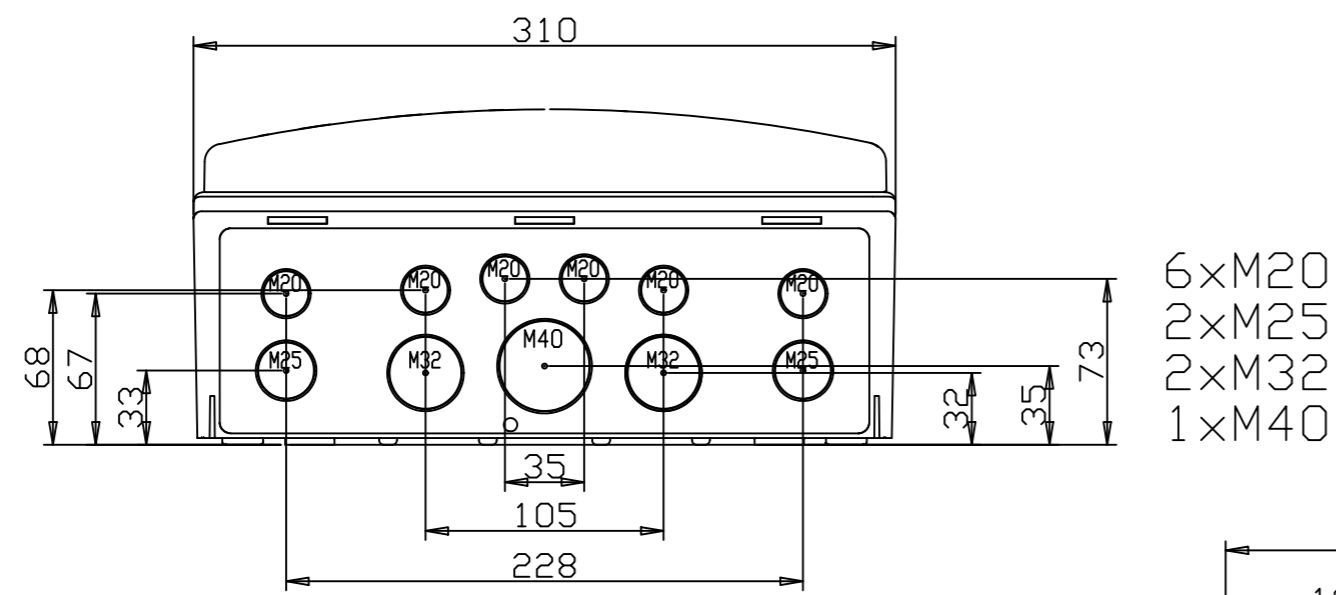
Packaging units: 2

### Product end of life:

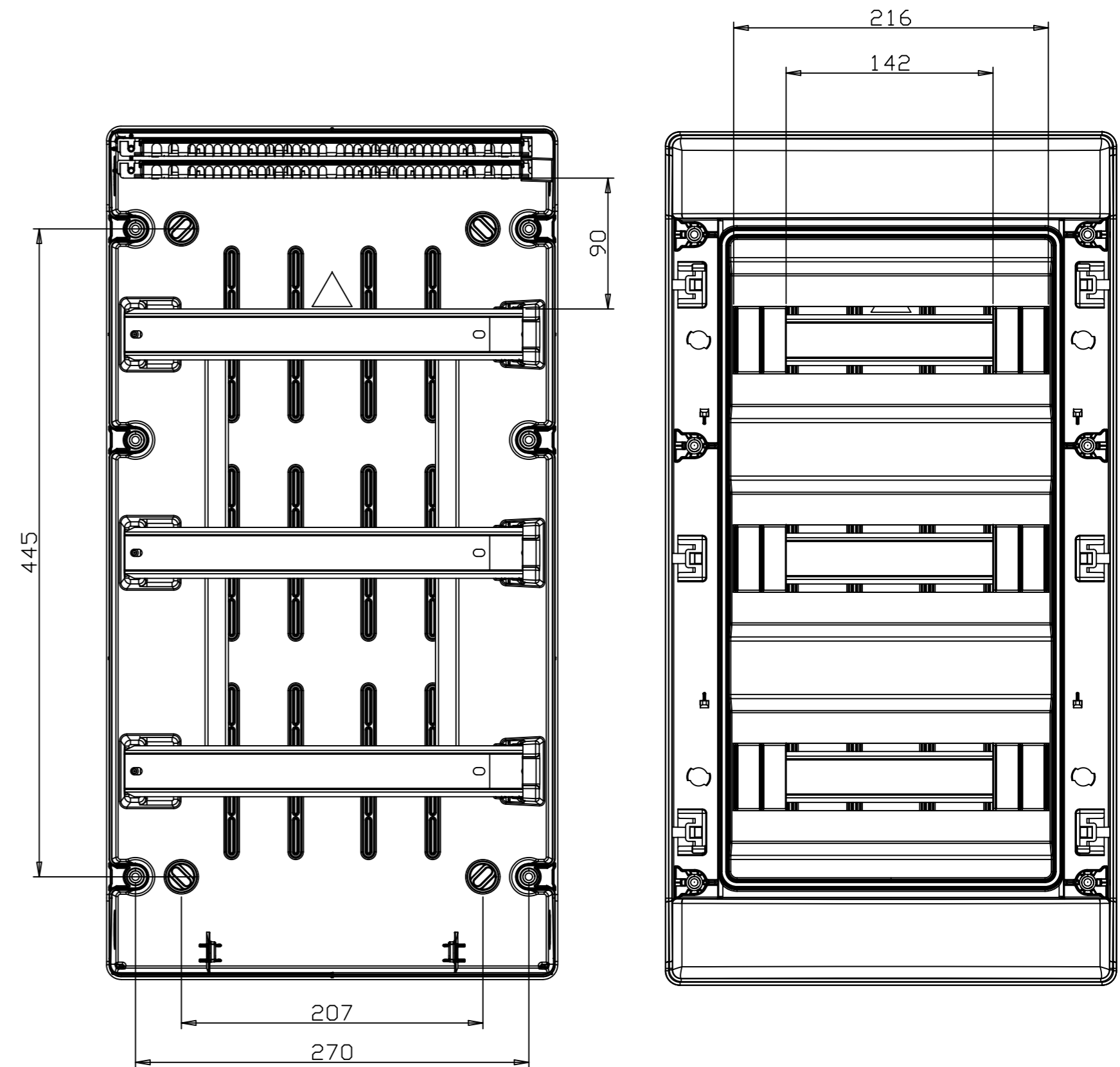
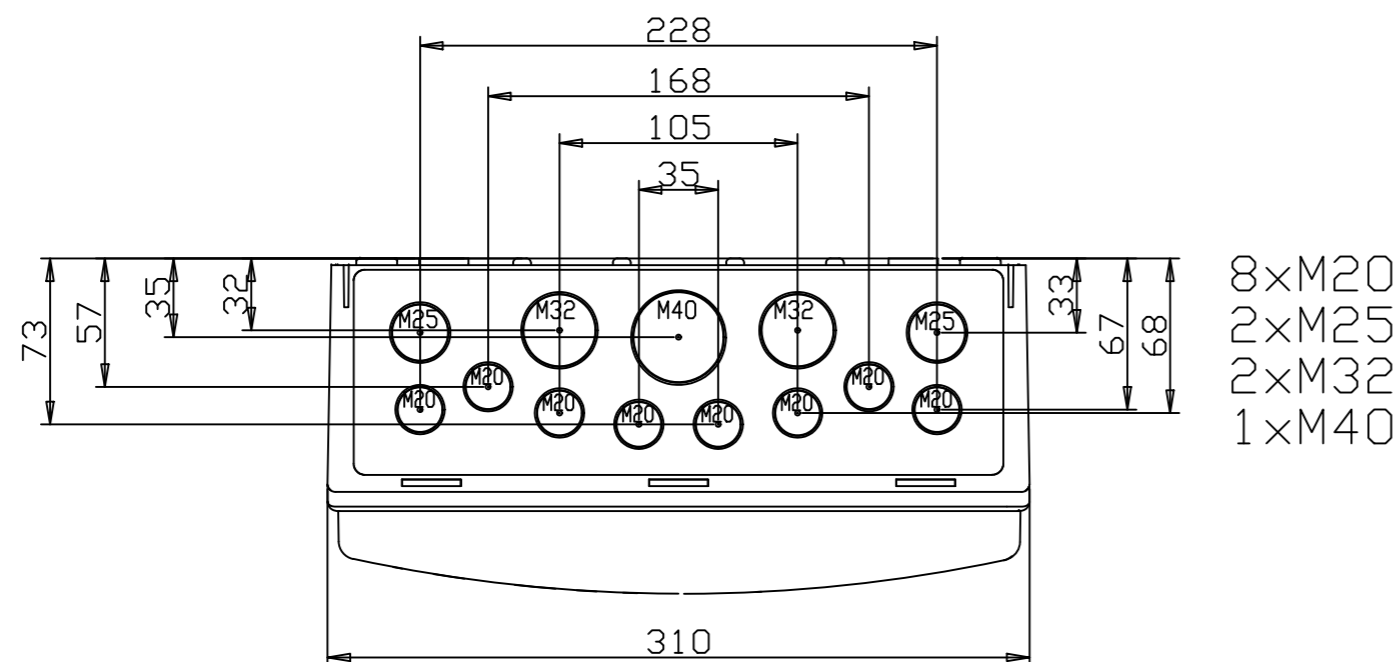
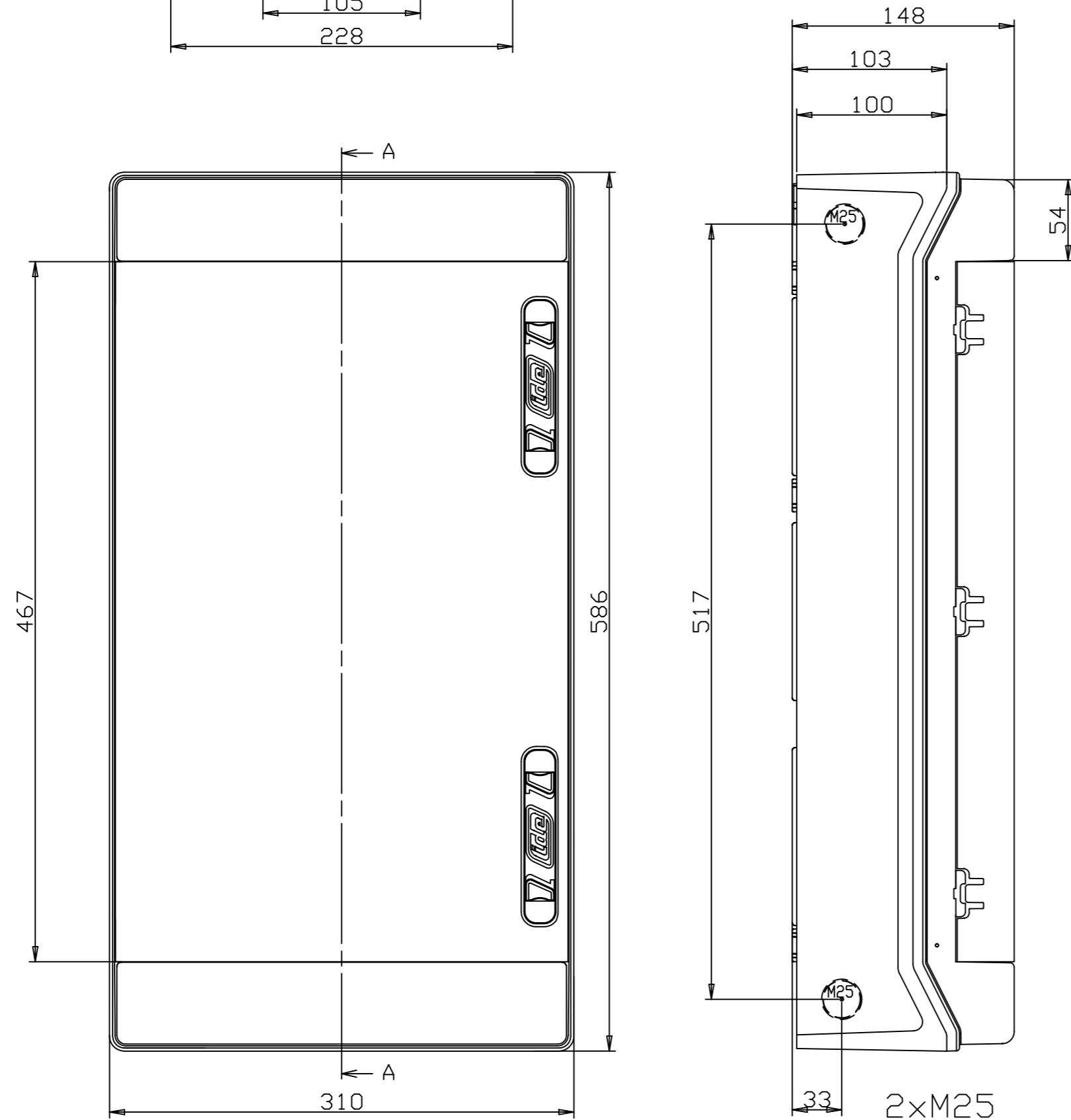
It does not require specific recycling operations.

### Recommended applications:

Industrial and outdoor environments. Industrial sites, docks, swimming pools, garages, anywhere that requires a high degree of protection against dust, splashes and impacts.



SEC AA



MODIFICADO / MODIFIED	NOMBRE / NAME	FECHA / DATE	Nº EDIC. / Nº MODIF.	DESCRIPCION DEL CAMBIO / CHANGE DESCRIPTION	PROYECTO / PROJECT
FIRMA / SIGNATURE	C.VICENTE	15/06/2016		DESCRIPCION / DESCRIPTION	ECOLOGY
APROBADO / CHECKED	J.P.VERA	15/06/2016		CDN36PT3F/RR	SUSTITUYE / REPLACE
DIBUJADO / DRAWN				CDP36PT3F/RR	
HOJA 1 DE 1 / SHEET 1 OF 1		TOLERANCIAS GENERALES / GENERAL TOLERANCES		CODIGO DE PLANO / DRAWING CODE	
TAMAÑO / ESCALA / SIZE / SCALE		EN 22768-mK		100.06.017	
A2		1:1		EDICION / EDITION Nº 1	

