

ECOLOGY

IP65 DISTRIBUTION BOXES

Description: IP65 SURFACE BOX 3x18 (54) MOD. (TW). ABS. N&E BARS

Reference:

CDN54PT/RR

Characteristics:

| | |
|--|---|
| Product type: | ABS watertight distribution boxes with neutral and earth bars (Sealable) |
| Exterior dimensions (Height x Width x Depth): | 586x418x148 mm |
| Dimensions of the flush-fit gap (HxWxD): | - |
| Number of modules: | 3x18 (54) DIN rail |
| Installation: | Surface |
| Color: | Grey RAL 7035 |
| Window: | Transparent tinted window. UV protection polycarbonate |
| Weight (Kg): | 4,29 |
| Cable entry: | Top: 12xM20 - 6xM25 - 2xM32 - 1xM40. Bottom: 12xM20 - 6xM25 - 2xM32 - 1xM40. Int.: 4xM25. Oblong rear: 2xOB 25/32/25 |
| Components: | N&E Cable section: 16x(2,5-6 mm ²)+16x(4-10 mm ²)+2x(10-25 mm ²)+2x(16-35 mm ²) |
| Materials: | Halogen-free plastic materials. Frame and base: ABS. Recommended for outdoor use: UV protection under ISO standard 4892-2, Method A: 500h |

Technical data:

| | |
|-----------------------------------|-----------------------|
| Degree of protection: | IP65 |
| Resistance to impact: | IK08 |
| Glow wire resistance: | 650 °C |
| Ball pressure test: | 70 °C |
| Ambient temperature range: | -25 °C / +40 °C |
| Maximum operating voltage: | 1000 V AC / 1500 V DC |
| Double insulation: | Class II |

Certificates and standards:

| | |
|----------------------|----------------------------|
| Directive: | 2014/35/EU |
| Standards: | UNE-EN 62208 and IEC 62208 |
| Certificates: | |



Codes:

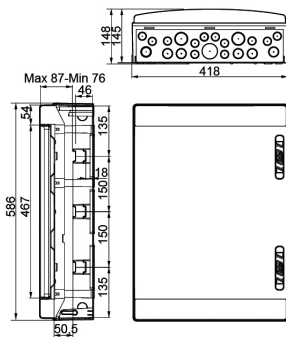
| | |
|-------------------------------|---------------|
| EAN: | 8431044130439 |
| Customs tariff number: | 85.38.10.00 |
| ETIM 6.0: | EC001892 |

ECOLOGY


IP65 DISTRIBUTION BOXES

Description: IP65 SURFACE BOX 3x18 (54) MOD. (TW). ABS. N&E BARS

Reference: CDN54PT/RR



Detailed drawing:

 <http://www.ide.es/downloads/planos/pdf/CDN54PTRR.pdf>

 <http://www.ide.es/downloads/planos/dxf/CDN54PTRR.dxf>

Exterior dimensions (Height x Width x Depth):

586x418x148 mm

Dimensions of the flush-fit gap (Height x Width x Depth):

-

Sustainability:

RoHS - REACH

Supply:

Supplied in individual cardboard packaging. When several items are sent together, they are bundled together with transparent film.

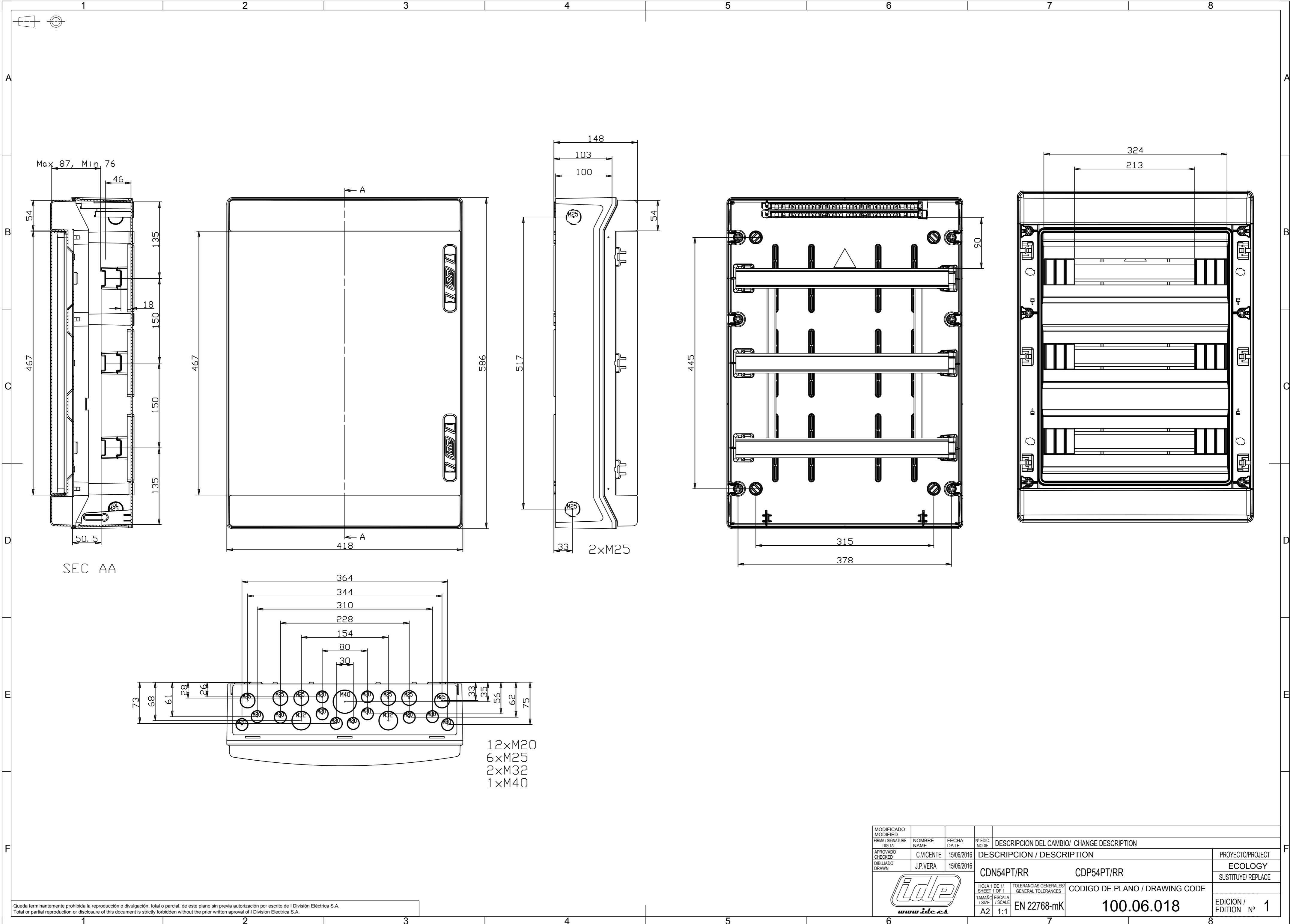
Packaging units: 1

Product end of life:

It does not require specific recycling operations.

Recommended applications:

Industrial and outdoor environments. Industrial sites, docks, swimming pools, garages, anywhere that requires a high degree of protection against dust, splashes and impacts.



SEC AA

12xM20
6xM25
2xM32
1xM40

| | | | | | | |
|------------------------------|----------------|---------------|--------------------|-----------------------------------|--|--------------------------------|
| MODIFICADO MODIFIED | | | | | DESCRIPCION DEL CAMBIO/ CHANGE DESCRIPTION | |
| FRIMA / SIGNATURE DIGITAL | NOMBRE NAME | FECHA DATE | N° EDIC. MODIF. | | | |
| APROBADO CHECKED | C.VICENTE | 15/06/2016 | | DESCRIPCION / DESCRIPTION | | PROYECTO/PROJECT |
| DIBUJADO DRAWN | J.P.VERA | 15/06/2016 | | CDN54PT/RR | CDP54PT/RR | ECOLOGY |
| | | | | | | SUSTITUYE/REPLACE |
| | | | | HOJA 1 DE 1/ SHEET 1 OF 1 | TOLERANCIAS GENERALES/ GENERAL TOLERANCES | CODIGO DE PLANO / DRAWING CODE |
| | | | | TAMANO / ESCALA / SIZE / SCALE | EN 22768-mK | 100.06.018 |
| | | | | A2 | 1:1 | EDICION / EDITION Nº 1 |

Queda terminantemente prohibida la reproducción o divulgación, total o parcial, de este plano sin previa autorización por escrito de I División Eléctrica S.A.
Total or partial reproduction or disclosure of this document is strictly forbidden without the prior written approval of I División Eléctrica S.A.

Instrucciones de montaje
Installation Instructions
Notice d'installation
Istruzioni per il montaggio
Montageanweisung
Montagehandleiding

Montagevejledning
Οδηγίες εγκατάστασης
Instruções de montagem
Monteringsanvisning
Asennusohje
Návod k montáži

Paigaldusjuhend
Szerelési utasítás
Montāžas instrukcija
Montavimo instrukcija
Instrukcja montażu
Navodila za montažo

Návod na montáž
Монтажни инструкции
Instrucțiuni de montaj
Инструкция по монтажу
安装说明

EN 62208

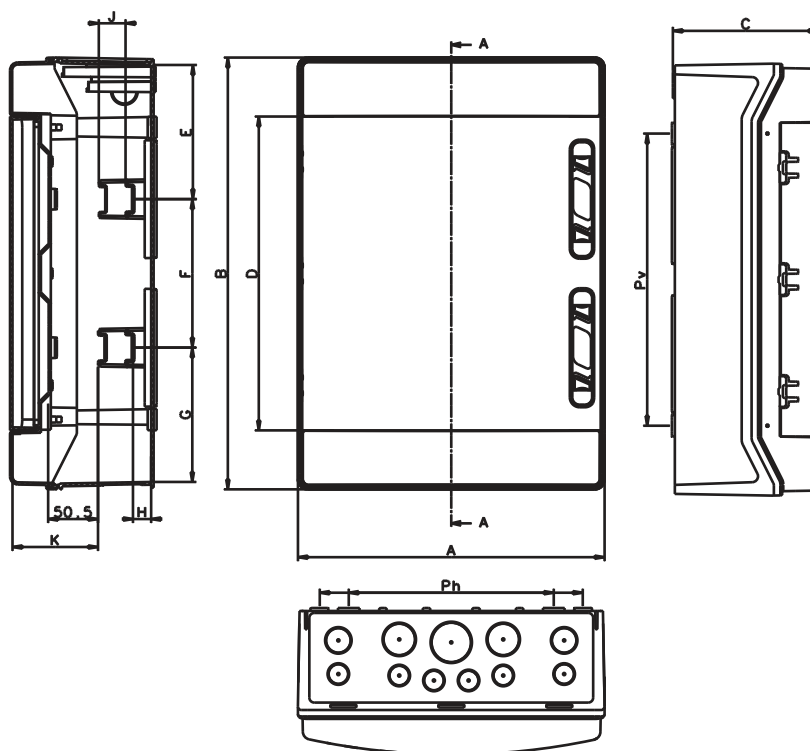
Ac<1000V

In<125A

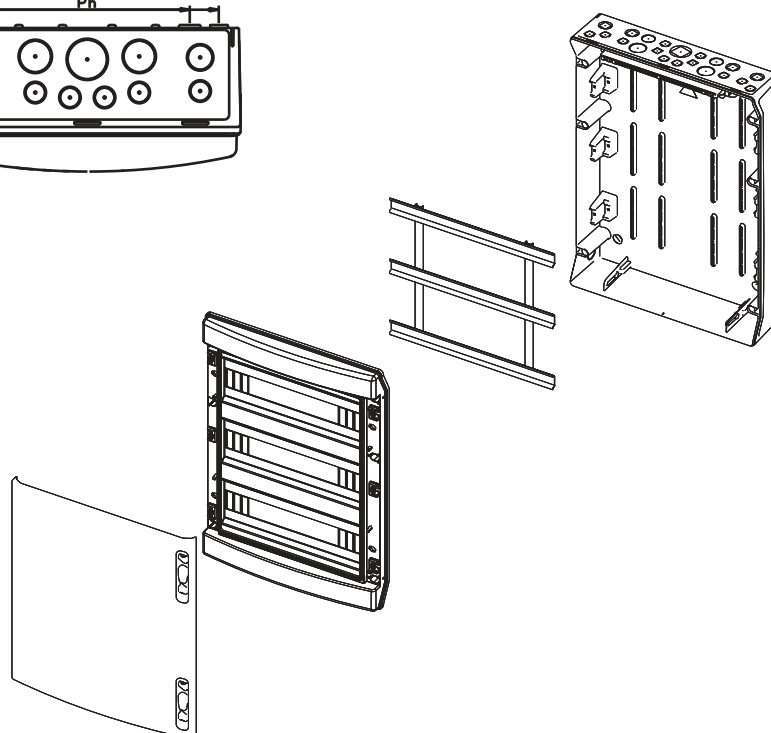
Cc<1500V

Fr<100Hz

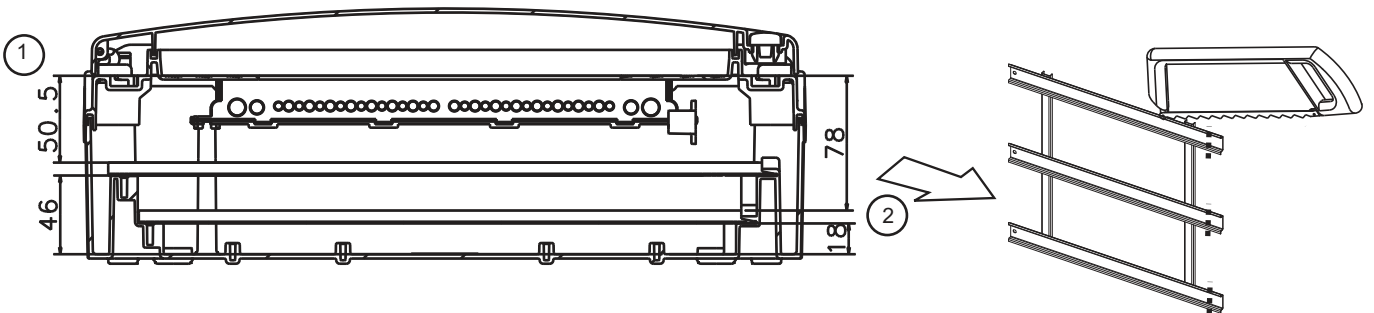
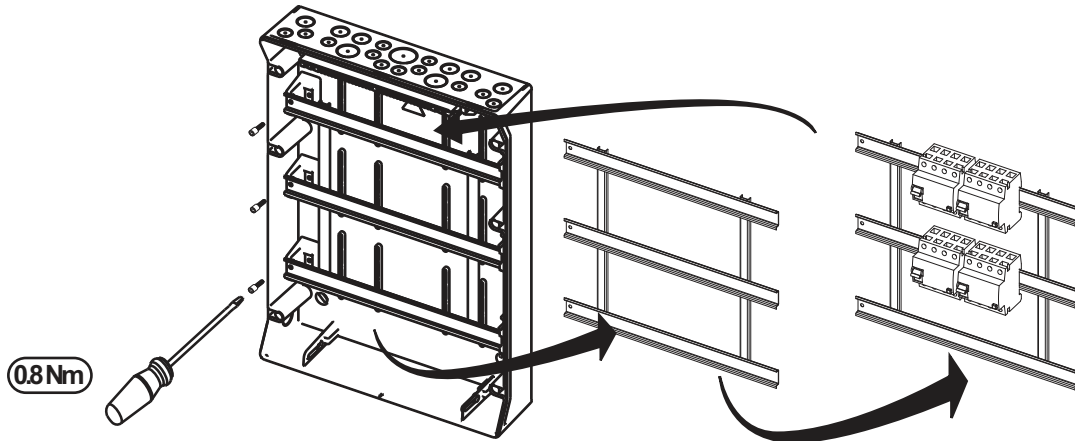
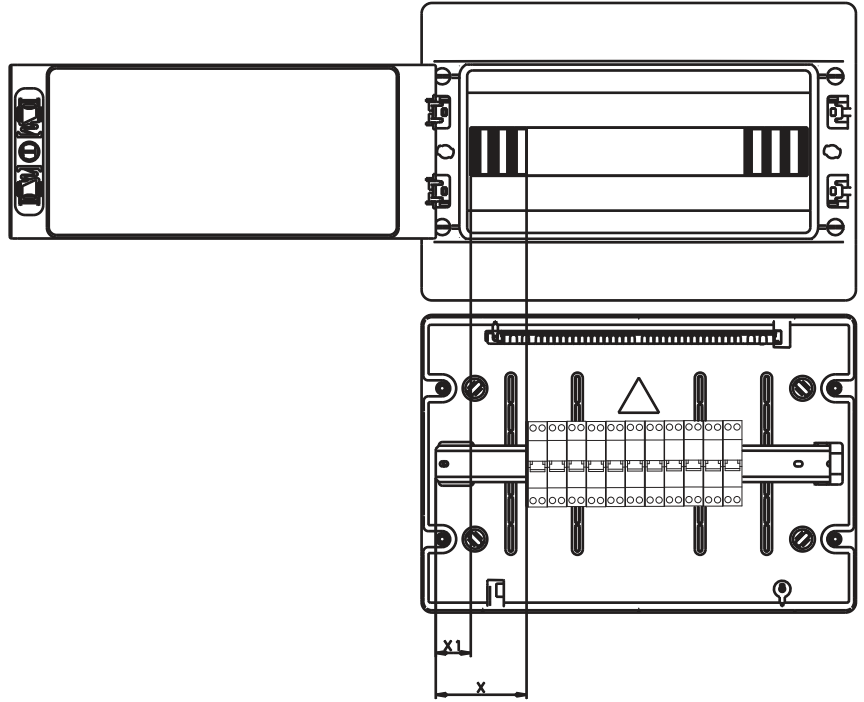
| Type mm. | A | B | C | D | E | F | G | H | J | K | Ph | Pv |
|----------|-----|-----|-----|-----|------|-------|------|----|----|-------|---------|-----|
| 65S04 | 166 | 231 | 113 | 150 | 115< | -- | 100< | 16 | -- | 78-82 | 76/126 | 121 |
| 65S06 | 202 | 231 | 113 | 150 | 115< | -- | 100< | 16 | -- | 78-82 | 97/162 | 121 |
| 65S08 | 238 | 231 | 118 | 150 | 115< | -- | 100< | 16 | -- | 81-86 | 133/198 | 121 |
| 65S12 | 310 | 246 | 148 | 167 | 115< | -- | 115< | 18 | 28 | 76-87 | 207/270 | 121 |
| 65S18 | 418 | 286 | 148 | 167 | 135< | -- | 135< | 18 | 28 | 76-87 | 315/378 | 145 |
| 65S24 | 310 | 436 | 148 | 317 | 135< | 150 | 135< | 18 | 28 | 76-87 | 207/270 | 295 |
| 65S36_2 | 418 | 436 | 148 | 317 | 135< | 150 | 135< | 18 | 28 | 76-87 | 315/378 | 295 |
| 65S36_3 | 310 | 586 | 148 | 467 | 135< | 2x150 | 135< | 18 | 28 | 76-87 | 207/270 | 445 |
| 65S54 | 418 | 586 | 148 | 467 | 135< | 2x150 | 135< | 18 | 28 | 76-87 | 315/378 | 445 |

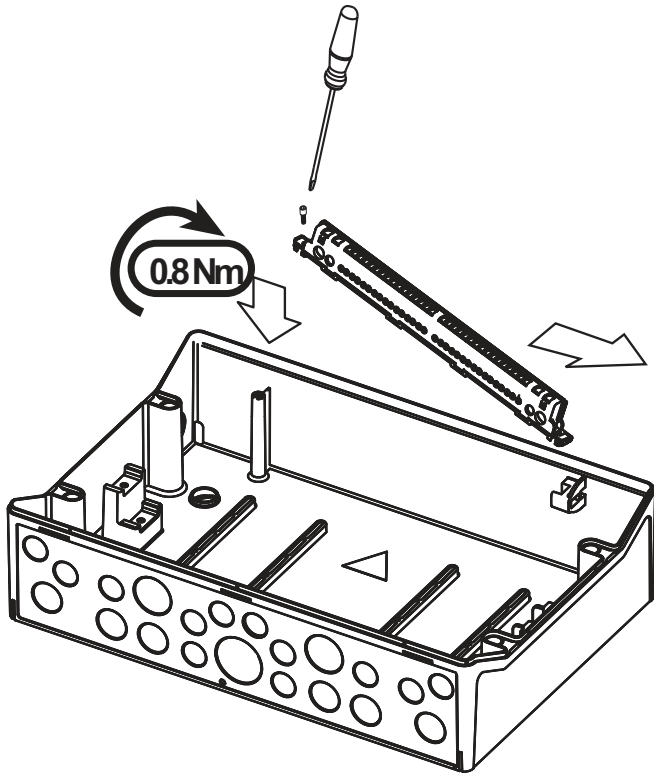


| | | 65S.. | 65S../RR |
|--|---|---------------------|---------------------|
| | 65S04/06/08/12/18 65S24/36_2 65S36_3/54 | 4x 4x 6x | 4x 4x 6x |
| | 65S.... | 4x | 4x |
| | 65S04 65S06/08/12/18 65S24/36_2 65S36_3/54 | - 1x 2x 3x | - 1x 2x 3x |
| | 65S04/06/08/12/18 65S24/36_2 65S36_3/54 | 1x 2x 3x | 1x 2x 3x |
| | 65S04/06/08/12/18 65S24 65S36_2/36_3/54 | - - - | 1x 1x 2x |

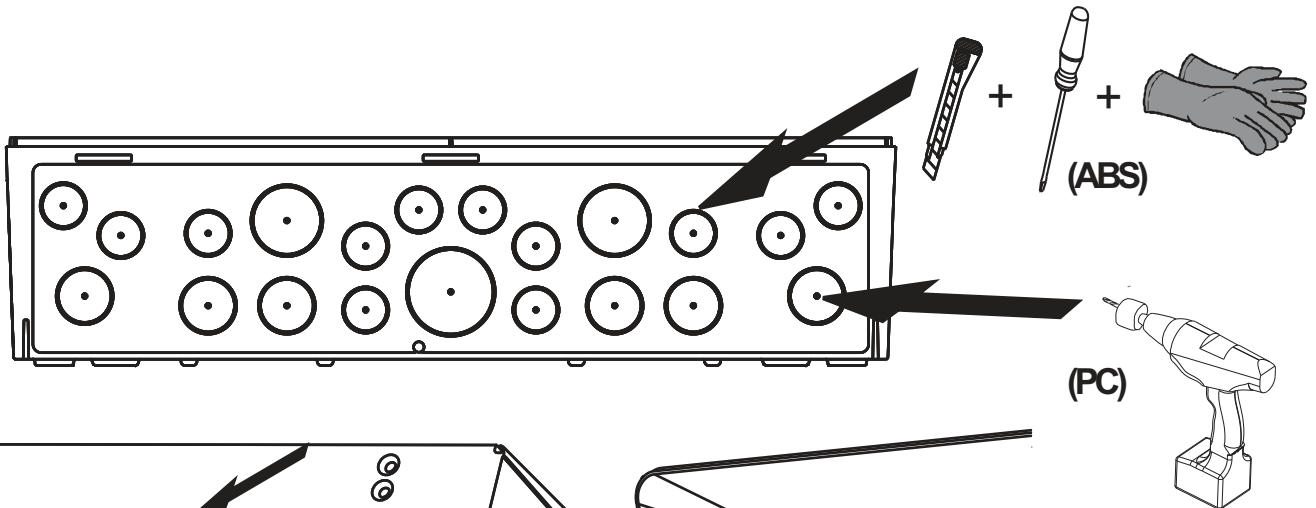


| | X (mm) | X1 (mm) |
|---------|-----------|------------|
| 65S04 | 39 | 20.5 |
| 65S06 | 41.5 | 23 |
| 65S08 | 47.5 | 30 |
| 65S12 | 70.5 | 34 |
| 65S24 | 70.5 | 34 |
| 65S36_3 | 70.5 | 34 |
| 65S18 | 86 | 32 |
| 65S36_2 | 86 | 32 |
| 65S54 | 86 | 32 |





| TYPE / TIPO | (N) (mm ²) | (PE) (mm ²) |
|-------------|--|--|
| 65S04 | 3x(2.5-6mm ²)+1x(4-10mm ²)+1x(16-35mm ²) | 3x(2.5-6mm ²)+1x(4-10mm ²)+1x(16-35mm ²) |
| 65S06 | 3x(2.5-6mm ²)+1x(4-10mm ²)+1x(16-35mm ²) | 3x(2.5-6mm ²)+1x(4-10mm ²)+1x(16-35mm ²) |
| 65S08 | 5x(2.5-6mm ²)+3x(4-10mm ²)+1x(16-35mm ²) | 5x(2.5-6mm ²)+3x(4-10mm ²)+1x(16-35mm ²) |
| 65S12 | 6x(2.5-6mm ²)+6x(4-10mm ²)+1x(10-25mm ²)+1x(16-35mm ²) | 6x(2.5-6mm ²)+6x(4-10mm ²)+1x(10-25mm ²)+1x(16-35mm ²) |
| 65S24 | 8x(2.5-6mm ²)+8x(4-10mm ²)+1x(10-25mm ²)+1x(16-35mm ²) | 8x(2.5-6mm ²)+8x(4-10mm ²)+1x(10-25mm ²)+1x(16-35mm ²) |
| 65S36_3 | 12x(2.5-6mm ²)+12x(4-10mm ²)+1x(10-25mm ²)+1x(16-35mm ²) | 12x(2.5-6mm ²)+12x(4-10mm ²)+1x(10-25mm ²)+1x(16-35mm ²) |
| 65S18 | 8x(2.5-6mm ²)+8x(4-10mm ²)+1x(10-25mm ²)+1x(16-35mm ²) | 8x(2.5-6mm ²)+8x(4-10mm ²)+1x(10-25mm ²)+1x(16-35mm ²) |
| 65S36_2 | 12x(2.5-6mm ²)+12x(4-10mm ²)+1x(10-25mm ²)+1x(16-35mm ²) | 12x(2.5-6mm ²)+12x(4-10mm ²)+1x(10-25mm ²)+1x(16-35mm ²) |
| 65S54 | 12x(2.5-6mm ²)+12x(4-10mm ²)+1x(10-25mm ²)+1x(16-35mm ²) | 12x(2.5-6mm ²)+12x(4-10mm ²)+1x(10-25mm ²)+1x(16-35mm ²) |



(PC)

