

# COMBI

## IP20 SURFACE DISTRIBUTION BOXES

Description: IP20 SURFACE BOX 1x4 MOD.

Reference:

**BT4**

### Characteristics:

<b>Product type:</b>	Surface distribution boxes
<b>Exterior dimensions (Height x Width x Depth):</b>	130x85x64 mm
<b>Dimensions of the flush-fit gap (HxWxD):</b>	-
<b>Number of modules:</b>	1x4 DIN rail
<b>Installation:</b>	Surface
<b>Color:</b>	White RAL 9003
<b>Window:</b>	Without window
<b>Weight (Kg):</b>	0,1
<b>Cable entry:</b>	-
<b>Components:</b>	-
<b>Materials:</b>	Halogen-free plastic materials. Base: ABS

### Technical data:

<b>Degree of protection:</b>	IP20
<b>Resistance to impact:</b>	IK08
<b>Glow wire resistance:</b>	650 °C
<b>Ball pressure test:</b>	70 °C
<b>Ambient temperature range:</b>	-25 °C / +40 °C
<b>Maximum operating voltage:</b>	1000 V AC / 1500 V DC
<b>Double insulation:</b>	Class II

### Certificates and standards:

<b>Directive:</b>	2014/35/EU
<b>Standards:</b>	UNE-EN 62208 and UNE-EN 61439-1 (as applicable)
<b>Certificates:</b>	



### Codes:

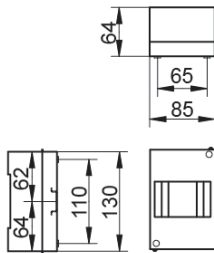
<b>EAN:</b>	8431044241500
<b>Customs tariff number:</b>	85.38.10.00
<b>ETIM 6.0:</b>	EC001893

# COMBI

## IP20 SURFACE DISTRIBUTION BOXES

Description: IP20 SURFACE BOX 1x4 MOD.

Reference: BT4



Exterior dimensions (Height x Width x Depth):

130x85x64 mm

Dimensions of the flush-fit gap (Height x Width x Depth):

-

### Sustainability:

RoHS - REACH

### Supply:

Supplied in individual cardboard packaging. When several items are sent together, they are bundled together with transparent film.

Packaging units: 24

### Product end of life:

It does not require specific recycling operations.

### Recommended applications:

Tertiary and residential sectors. For use indoors, designed for surface installation. Flats, houses, offices, hotels, etc.

Instrucciones de montaje  
 Installation Instructions  
 Notice d'installation  
 Istruzioni per il montaggio  
 Montageanweisung  
 Montageanleitung

Montagevejledning  
 Οδηγίες εγκατάστασης  
 Instruções de montagem  
 Monteringsanvisning  
 Asennusohje  
 Návod k montáži

Paigaldusjuhend  
 Szerelési utasítás  
 Montāžas instrukcija  
 Montavimo instrukcija  
 Instrukcja montażu  
 Navodila za montažo

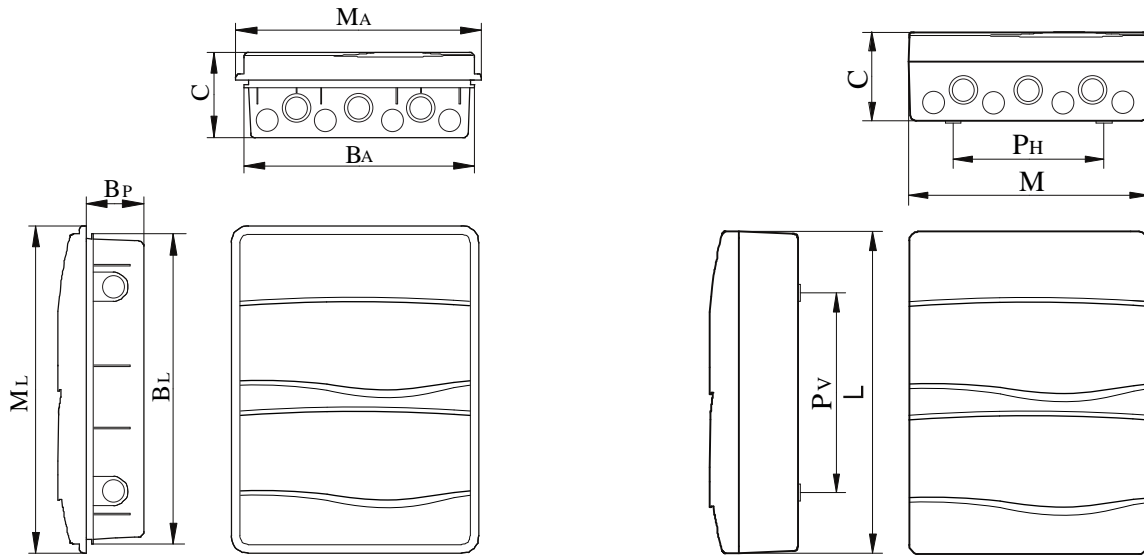
Návod na montáž  
 Монтажни инструкции  
 Instruções de montaj  
 Инструкция по монтажу  
 安装说明

IEC/EN 62208  
 IEC/EN 60670-24

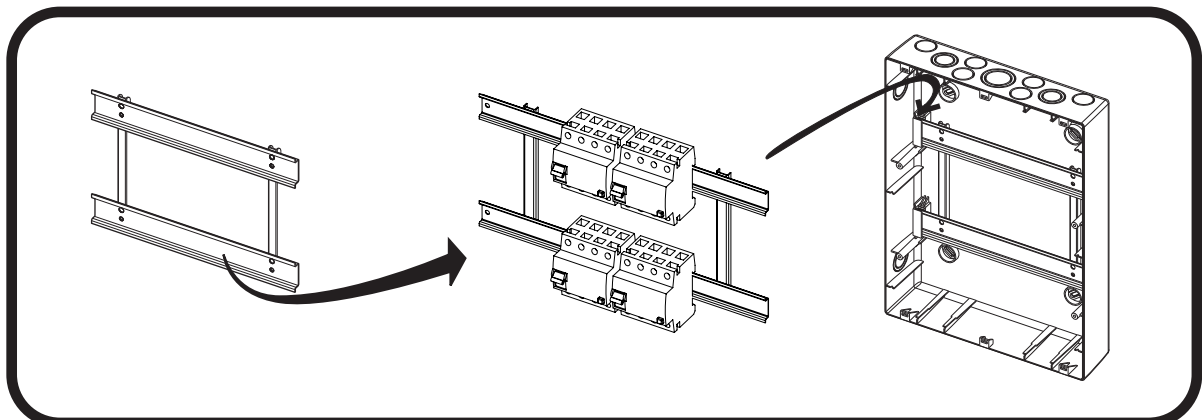
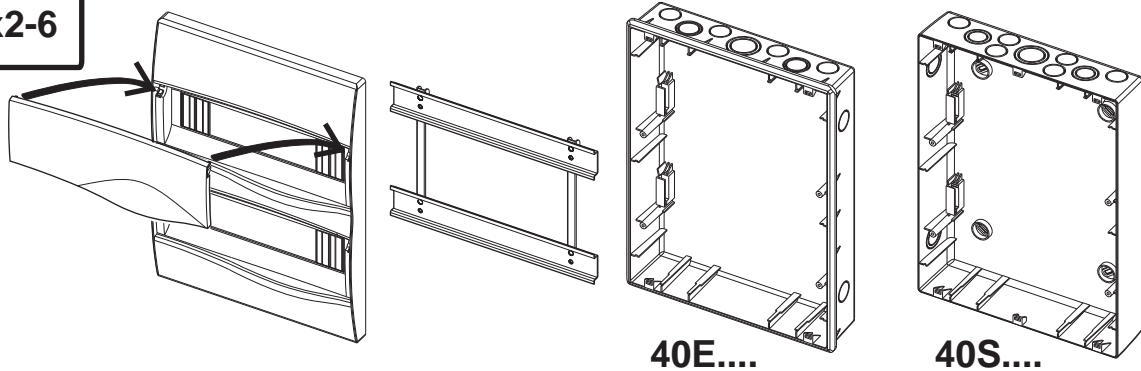
AC<=1000V DC<=1500V  
 AC/DC<=400V

TYPE / TIPO	M <sub>A</sub>	M <sub>L</sub>	B <sub>A</sub>	B <sub>L</sub>	B <sub>P</sub>	C
40E04	120	228	120	228	65	97
40E08	210	248	190	228	65	97
40E12	283	248	263	228	65	97
40E24	283	373	263	353	65	97
40E36	283	517	263	497	65	97

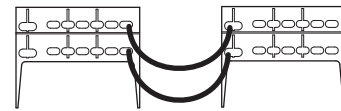
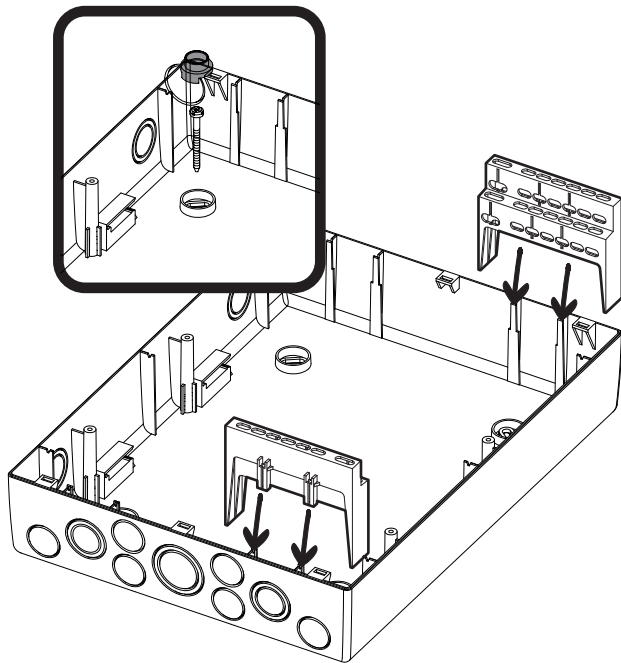
TYPE / TIPO	M	L	C	P <sub>H</sub>	P <sub>V</sub>
40S04	120	228	99	---	180
40S08	191	228	99	93	105
40S12	264	228	99	138	116
40S24	264	353	99	166	220
40S36	264	497	99	169	361



 x2-6

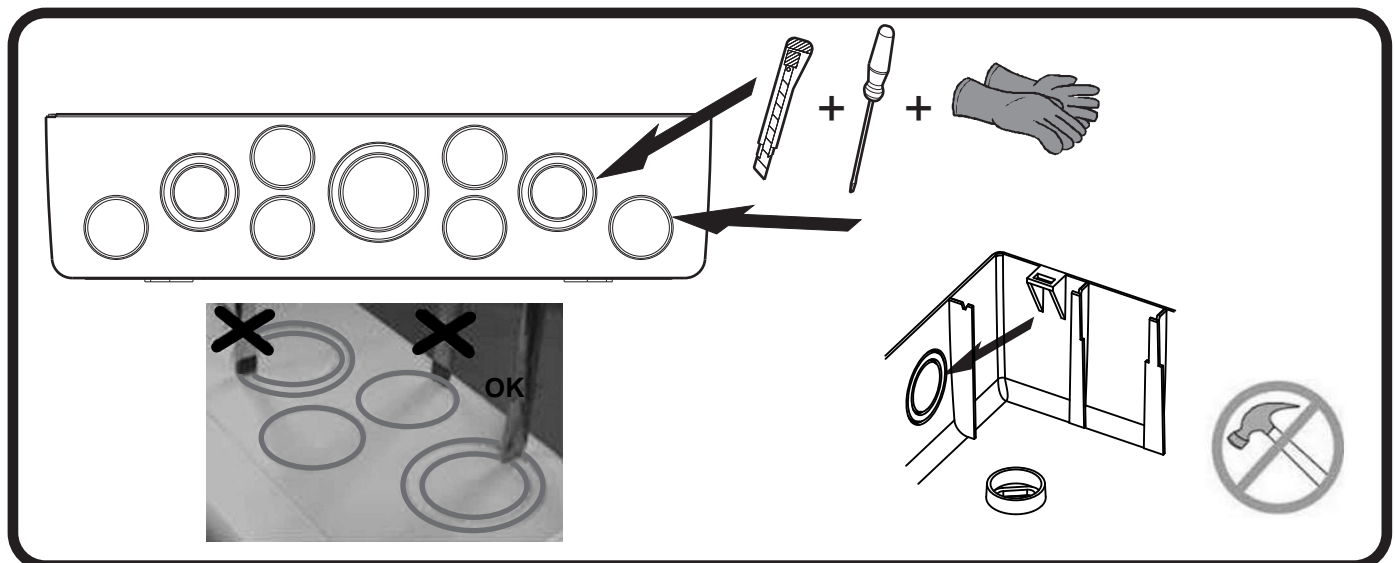


40S....



Ø10mm  
I=63A

TYPE / TIPO	(N) (mm <sup>2</sup> )	(PE) (mm <sup>2</sup> )
40S04 - 40E04	2x(2.5-6mm <sup>2</sup> )+2x(4-10mm <sup>2</sup> )+2x(16-35mm <sup>2</sup> )	2x(2.5-6mm <sup>2</sup> )+2x(4-10mm <sup>2</sup> )+2x(16-35mm <sup>2</sup> )
40S08 - 40E08	4x(2.5-6mm <sup>2</sup> )+4x(4-10mm <sup>2</sup> )+2x(16-35mm <sup>2</sup> )	4x(2.5-6mm <sup>2</sup> )+4x(4-10mm <sup>2</sup> )+2x(16-35mm <sup>2</sup> )
40S12 - 40E12	6x(2.5-6mm <sup>2</sup> )+6x(4-10mm <sup>2</sup> )+2x(16-35mm <sup>2</sup> )	6x(2.5-6mm <sup>2</sup> )+6x(4-10mm <sup>2</sup> )+2x(16-35mm <sup>2</sup> )
40S24 - 40E24	8x(2.5-6mm <sup>2</sup> )+8x(4-10mm <sup>2</sup> )+1x(10-25mm <sup>2</sup> )+1x(16-35mm <sup>2</sup> )	8x(2.5-6mm <sup>2</sup> )+8x(4-10mm <sup>2</sup> )+1x(10-25mm <sup>2</sup> )+1x(16-35mm <sup>2</sup> )
40S36 - 40E36	12x(2.5-6mm <sup>2</sup> )+12x(4-10mm <sup>2</sup> )+1x(10-25mm <sup>2</sup> )+1x(16-35mm <sup>2</sup> )	12x(2.5-6mm <sup>2</sup> )+12x(4-10mm <sup>2</sup> )+1x(10-25mm <sup>2</sup> )+1x(16-35mm <sup>2</sup> )



## DISIPACIÓN DE POTENCIA (W) SEGÚN AUMENTO DE TEMPERATURA (°C)

Tipo Type	Dimensiones Dimensions (m)			POWER DISSIPATION (W) ACCORDING TO INCREASE OF TEMPERATURE (° C)					
	ANCHO WIDTH	ALTO HEIGHT	PROF. DEPTH						
				20	25	30	35	40	
40E04	0,12	0,228	0,065	4,1	5,1	6,2	7,2	8,2	
40E08	0,19	0,228	0,065	5,9	7,4	8,8	10,3	11,8	
40E12	0,263	0,228	0,065	7,8	9,7	11,6	13,6	15,5	
40E24	0,263	0,353	0,065	11,5	14,4	17,3	20,2	23,1	
40E36	0,263	0,497	0,065	15,9	19,9	23,9	27,8	31,8	

Datos calculados según la norma CEI 890

Tipo Type	Dimensiones Dimensions (m)			POWER DISSIPATION (W) ACCORDING TO INCREASE OF TEMPERATURE (° C)					
	ANCHO WIDTH	ALTO HEIGHT	PROF. DEPTH						
				20	25	30	35	40	
40S04	0,12	0,228	0,099	6,7	8,4	10,0	11,7	13,4	
40S08	0,191	0,228	0,099	9,0	11,2	13,4	15,7	17,9	
40S12	0,264	0,228	0,099	11,3	14,1	17,0	19,8	22,6	
40S24	0,264	0,353	0,099	16,1	20,1	24,1	28,2	32,2	
40S36	0,264	0,497	0,099	21,6	27,0	32,4	37,8	43,2	

Data calculated according to standard CEI 890