

Type	T3T-10KVA 230/400V IP23
Description	Three-phase transformer 10KVA IP23 CV020565
Product code	T3T-10
Standards	EN60076

Date 15/05/2019

Rated Power 10 KVA

**Input**

Rated input voltage	230V (D)
Rated frequency	50-60 Hz
Primary current	25,5 A
Winding material	Al

**Output**

Rated output voltage	400V (YN)
Secondary current	14,44 A
Winding material	Al

Marks CE

**Environment**

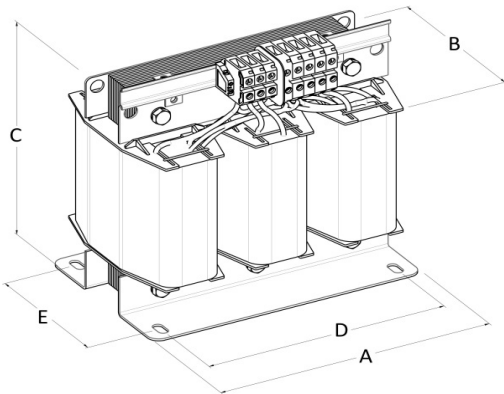
Cooling method	AN
Ambient temperature max	40°C/F
Winding temperature rise	CLASS F
Altitude	1000 mt

**Terminals and mounting**

Terminals	TERMINAL BLOCKS
Fixing method	SCREWS

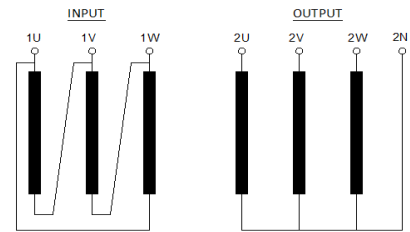
**Dimensions (mm) and weight (kg) - Transformer\***

A	B	C	Weight
360	260	330	81



\* dimensions and weight tolerance: ± 4%

Vector group YNd11



**Performance\*\***

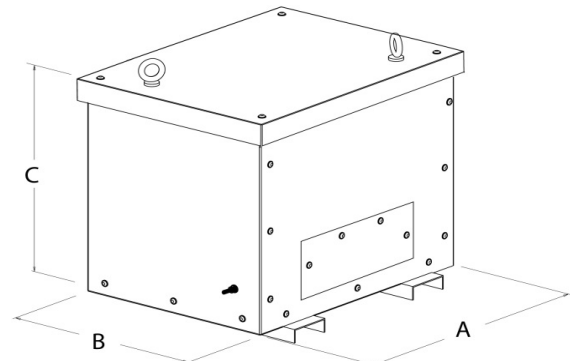
No-load losses	93 W
Load losses at 75°C	310 W
Efficiency at 75°C	96,10%
Ucc TOT (UccR/UccX) at 75°C	3,40%

**Safety and protection**

Insulation class	CLASS F
Working class	CLASS F
Protection degree	IP00
Inrush current	23-24 x In
Test voltage	3 KV/1'
No-load voltage	408,1 V

**Dimensions (mm) and weight (kg)- Enclosure IP23**

A	B	C	Weight
570	500	580	23



\*\* performance tolerance: ± 10 %

