



Type	T3T-40KVA 230/400V IP23
Description	Three-phase transformer 40KVA IP23
Product code	CV020602
Standards	EN60076

Date 18/01/2019

Rated Power	40 KVA
-------------	--------

Input

Rated input voltage	230V (D)
Rated frequency	50-60 Hz
Primary current	100,5 A
Winding material	Al

Output

Rated output voltage	400V (YN)
Secondary current	57,8 A
Winding material	Al

Marks	CE
-------	----

Environment

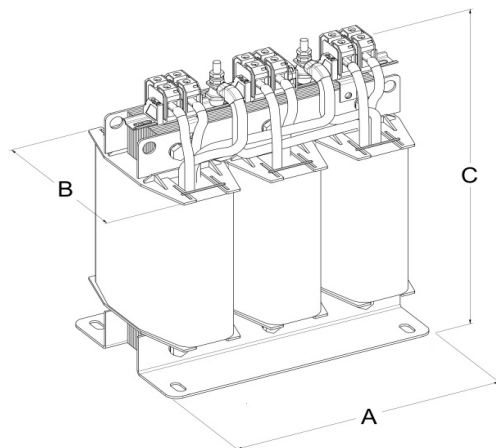
Cooling method	AN
Ambient temperature max	40°C/F
Winding temperature rise	CLASS F
Altitude	1000 mt

Terminals and mounting

Terminals	TERMINAL BLOCKS
Fixing method	SCREWS

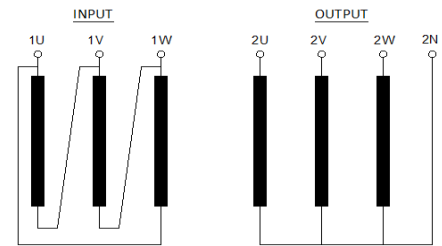
Dimensions (mm) and weight (kg) - Transformer*

A	B	C	Weight
480	350	440	181



* dimensions and weight tolerance: ± 4 %

Vector group	YNd11
--------------	-------



Performance**

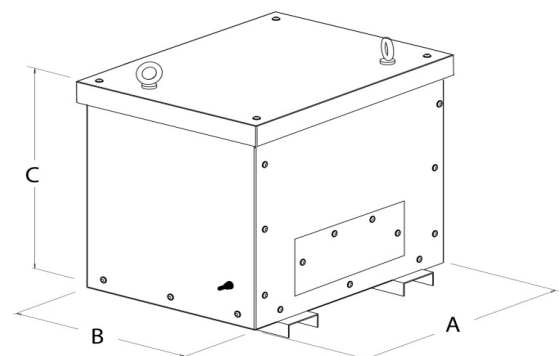
No-load losses	230 W
Load losses at 75 °C	1030 W
Efficiency at 75 °C	96,90%
Ucc TOT (UccR / UccX) at 75 °C	3,33%

Safety and protection

Insulation class	CLASS F
Working class	CLASS F
Protection degree	IP00
Inrush current	18-20 x In

Dimensions (mm) and weight (kg)- Enclosure IP23

A	B	C	Weight
740	650	740	36



** performance tolerance: ± 10 %

