

Type	T3SL-12,5KVA 230/400V IP20
Description	Three-phase transformer 12,5KVA IP20
Product code	T3SL-12,5
Standards	EN61558

Date 18/02/2019

Rated Power	12,5 KVA
-------------	----------

#### Input

Rated input voltage	230 V (D)
Rated frequency	50-60 Hz
Primary current	32 A
Winding material	Al

#### Output

Rated output voltage	400 V (YN)
Secondary current	18,05 A
Winding material	Al

Marks	CE
-------	----

#### Environment

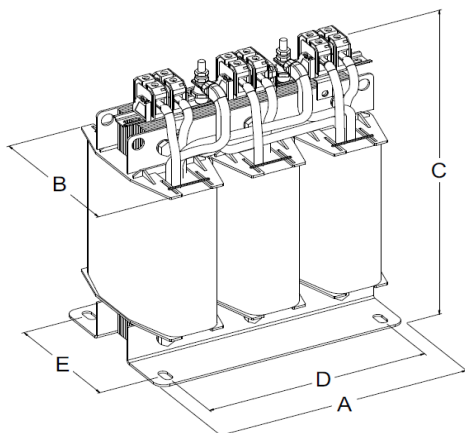
Cooling method	AN
Ambient temperature max	40 °C/B
Winding temperature rise	CLASS B
Altitude	1000 mt

#### Terminals and mounting

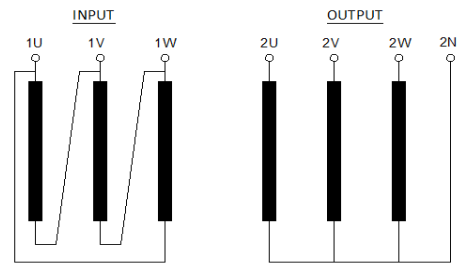
Terminals	TERMINAL BLOCKS
Fixing method	SCREWS

#### Dimensions (mm) and weight (kg) - Transformer\*

A	B	C	Weight
420	180	525	120



Vector group	YNd11
--------------	-------



#### Performance\*\*

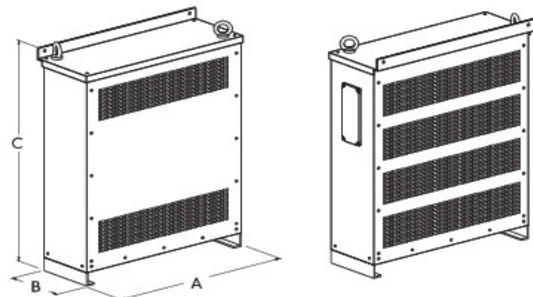
No-load losses	50 W
Load losses at 75 °C	280 W
Efficiency at 75 °C	97,47%
Ucc TOT at 75 °C	2,46%

#### Safety and protection

Insulation class	CLASS F
Working class	CLASS B
Protection degree	IP00
Inrush current	10-11 x I <sub>n</sub>
Test voltage	3 KV/1'
No-load Voltage	400 V

#### Dimensions (mm) and weight (kg)- Enclosure IP20

A	B	C	Weight
640	250	800	22



\* dimensions and weight tolerance: ± 4%

\*\* performance tolerance: ± 10 %

