

| | |
|--------------|------------------------------------|
| Type | T3SL-20KVA 230/400V IP20 |
| Description | Three-phase transformer 20KVA IP20 |
| Product code | T3SL-20 |
| Standards | EN61558 |

Date 18/02/2019

| | |
|-------------|--------|
| Rated Power | 20 KVA |
|-------------|--------|

Input

| | |
|---------------------|-----------|
| Rated input voltage | 230 V (D) |
| Rated frequency | 50-60 Hz |
| Primary current | 51 A |
| Winding material | Al |

Output

| | |
|----------------------|------------|
| Rated output voltage | 400 V (YN) |
| Secondary current | 28,9 A |
| Winding material | Al |

| | |
|-------|----|
| Marks | CE |
|-------|----|

Environment

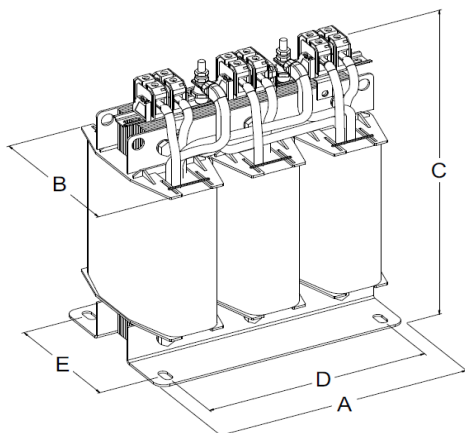
| | |
|--------------------------|---------|
| Cooling method | AN |
| Ambient temperature max | 40 °C/B |
| Winding temperature rise | CLASS B |
| Altitude | 1000 mt |

Terminals and mounting

| | |
|---------------|-----------------|
| Terminals | TERMINAL BLOCKS |
| Fixing method | SCREWS |

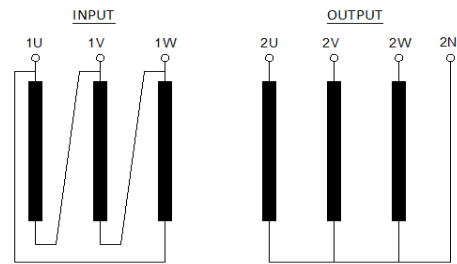
Dimensions (mm) and weight (kg) - Transformer*

| A | B | C | Weight |
|-----|-----|-----|--------|
| 420 | 210 | 595 | 151 |



* dimensions and weight tolerance: ± 4%

| | |
|--------------|-------|
| Vector group | YNd11 |
|--------------|-------|



Performance**

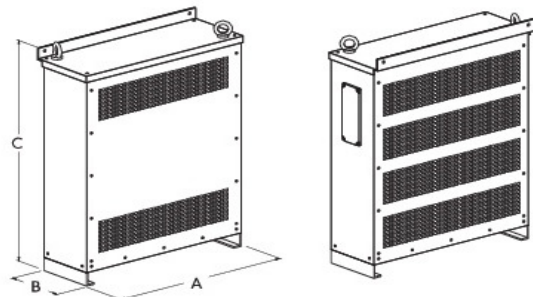
| | |
|----------------------|--------|
| No-load losses | 64W |
| Load losses at 75 °C | 480 W |
| Efficiency at 75 °C | 97,30% |
| Ucc TOT at 75 °C | 3,00% |

Safety and protection

| | |
|-------------------|----------------------|
| Insulation class | CLASS F |
| Working class | CLASS B |
| Protection degree | IP00 |
| Inrush current | 8-9 x I _n |
| Test voltage | 4,2 KV/1' |
| No-load Voltage | 400 V |

Dimensions (mm) and weight (kg)- Enclosure IP20

| A | B | C | Weight |
|-----|-----|-----|--------|
| 640 | 250 | 800 | 22 |



** performance tolerance: ± 10 %

