

# Data Sheet EKO50115

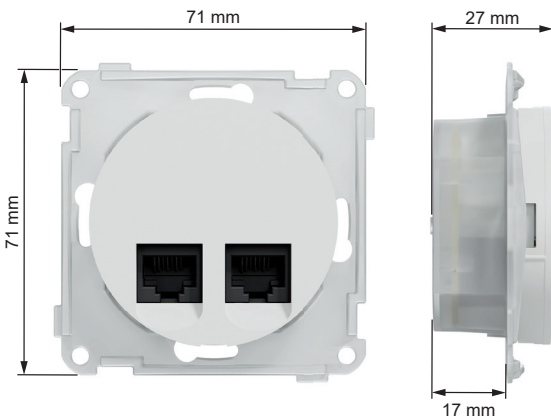
<b>Product:</b>	Modular outlet 2x8 cat 6 UTP
	LSA
<b>E-number NO:</b>	69 499 26
<b>E-number SV:</b>	51 004 42
<b>E-number FI:</b>	72 042 29
<b>EAN:</b>	7020160501158
<b>Packing:</b>	5
<b>Color:</b>	Pure white



**Product description:** ELKO One data socket is a 2xRJ45 basic element with central cover plate. It is provided with LSA connection terminals. The Communication network category is 6. Compatible with AWG22 to AWG24 solid wires. To be mounted in suitable 1 to 5-gang cover frame for flush cc 60mm wall-box installation or 1 to 3-gang high surface mounted box for surface installation, as well as in corner box. The dimensions of the product are (W) 71mm x (H) 71mm x (D) 27mm. It is made of recycled Polycarbonate (PC). The color of the product is pure white (RAL 9003) with matt surface finish. It reaches IP20 degrees of protection.

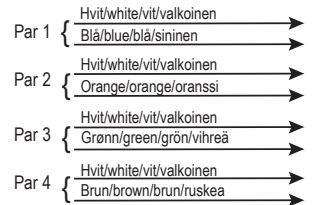
One range by ELKO is covering Wiring Devices, Stand Alone Electronics and Network Connectivity functions for both flush as well as surface installation. The One range has been developed with sustainability in mind, using recycled plastic and recycled packaging material. Modern and slim design with a smooth matt surface finish that is reflecting the light in a glowing way due to it's shape.

## Dimensions

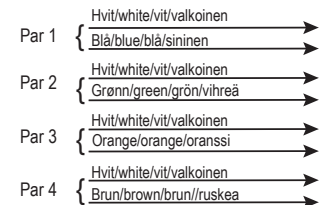


## Wiring diagram

**Koblingskjema** Modulkontakter  
**Mounting scheme** Modular outlets



**Category 6 UTP/STP  
T568 B**



**Category 6 UTP/ STP  
T568 A**

**Koplingskjema** Modulkontakter  
**Kytentäkaavio** Moduulikosketttime

